

## CE EMC Test Report

**Report No.:** CE200316D03

**Test Model:** MTD-6021

**Series Model:** MTD-6XXX-XXX (X can be 0-9, A-Z or blank for marketing purpose)

**Received Date:** Mar. 16, 2020

**Test Date:** Apr. 1 to May 12, 2020

**Issued Date:** May 14, 2020

**Applicant:** VECOW CO.,LTD.

**Address:** 3F,No.10,Jiankang Rd.,Zhonghe Dist., New Taipei City, Taiwan

**Issued By:** Bureau Veritas Consumer Products Services (H.K.) Ltd., Taoyuan Branch  
Lin Kou Laboratories

**Lab Address:** No. 47-2, 14th Ling, Chia Pau Vil., Lin Kou Dist., New Taipei City, Taiwan



This report is for your exclusive use. Any copying or replication of this report to or for any other person or entity, or use of our name or trademark, is permitted only with our prior written permission. This report sets forth our findings solely with respect to the test samples identified herein. The results set forth in this report are not indicative or representative of the quality or characteristics of the lot from which a test sample was taken or any similar or identical product specifically and expressly noted. Our report includes all of the tests requested by you and the results thereof based upon the information that you provided to us. You have 60 days from date of issuance of this report to notify us of any material error or omission caused by our negligence, provided, however, that such notice shall be in writing and shall specifically address the issue you wish to raise. A failure to raise such issue within the prescribed time shall constitute your unqualified acceptance of the completeness of this report, the tests conducted and the correctness of the report contents. Unless specific mention, the uncertainty of measurement has been explicitly taken into account to declare the compliance or non-compliance to the specification. The report must not be used by the client to claim product certification, approval, or endorsement by A2LA, or any agency of the U.S. government. The report must not be used by the client to claim product certification, approval, or endorsement by TAF or any government agencies.

## Table of Contents

<b>Release Control Record</b> .....	<b>4</b>
<b>1 Certificate of Conformity</b> .....	<b>5</b>
<b>2 Summary of Test Results</b> .....	<b>6</b>
2.1 Measurement Uncertainty .....	7
2.2 Modification Record.....	7
<b>3 General Information</b> .....	<b>8</b>
3.1 Description of EUT .....	8
3.2 Features of EUT .....	8
3.3 Operating Modes of EUT and Determination of Worst Case Operating Mode .....	9
3.4 Test Program Used and Operation Descriptions.....	9
3.5 Primary Clock Frequencies of Internal Source .....	9
<b>4 Configuration and Connections with EUT</b> .....	<b>10</b>
4.1 Connection Diagram of EUT and Peripheral Devices.....	10
4.2 Configuration of Peripheral Devices and Cable Connections .....	11
<b>5 Conducted Emission from the AC Mains Power Port</b> .....	<b>12</b>
5.1 Limits .....	12
5.2 Test Instruments .....	12
5.3 Test Arrangement .....	13
5.4 Test Results .....	14
<b>6 Radiated Emission at Frequencies up to 1GHz</b> .....	<b>18</b>
6.1 Limits .....	18
6.2 Test Instruments .....	18
6.3 Test Arrangement .....	19
6.4 Test Results .....	20
<b>7 Harmonics Current Measurement</b> .....	<b>22</b>
7.1 Limits .....	22
7.2 Classification of Equipment.....	22
7.3 Test Instruments .....	23
7.4 Test Arrangement .....	23
7.5 Test Results .....	23
<b>8 Voltage Fluctuations and Flicker Measurement</b> .....	<b>24</b>
8.1 Limits .....	24
8.2 Test Instruments .....	24
8.3 Test Arrangement .....	24
8.4 Test Results .....	25
<b>9 General Immunity Requirements</b> .....	<b>26</b>
9.1 Performance Criteria .....	27
<b>10 Electrostatic Discharge Immunity Test (ESD)</b> .....	<b>28</b>
10.1 Test Specification.....	28
10.2 Test Instruments .....	28
10.3 Test Arrangement .....	28
10.4 Test Results .....	30
<b>11 Radiated, Radio-frequency, Electromagnetic Field Immunity Test (RS)</b> .....	<b>34</b>
11.1 Test Specification.....	34
11.2 Test Instruments .....	34

11.3	Test Arrangement .....	35
11.4	Test Results .....	35
<b>12</b>	<b>Electrical Fast Transient/Burst Immunity Test (EFT).....</b>	<b>36</b>
12.1	Test Specification.....	36
12.2	Test Instruments .....	36
12.3	Test Arrangement .....	37
12.4	Test Results .....	37
<b>13</b>	<b>Surge Immunity Test.....</b>	<b>38</b>
13.1	Test Specification.....	38
13.2	Test Instruments .....	38
13.3	Test Arrangement .....	39
13.4	Test Results .....	40
<b>14</b>	<b>Immunity to Conducted Disturbances Induced by RF Fields (CS).....</b>	<b>41</b>
14.1	Test Specification.....	41
14.2	Test Instruments .....	41
14.3	Test Arrangement .....	42
14.4	Test Results .....	43
<b>15</b>	<b>Power Frequency Magnetic Field Immunity Test.....</b>	<b>44</b>
15.1	Test Specification.....	44
15.2	Test Instruments .....	44
15.3	Test Arrangement .....	44
15.4	Test Results .....	45
<b>16</b>	<b>Voltage Dips and Interruptions .....</b>	<b>46</b>
16.1	Test Specification.....	46
16.2	Test Instruments .....	46
16.3	Test Arrangement .....	46
16.4	Test Results .....	47
<b>17</b>	<b>Pictures of Test Arrangements .....</b>	<b>48</b>
17.1	Conducted Emission from the AC Mains Power Port.....	48
17.2	Radiated Emission at Frequencies up to 1GHz .....	49
17.3	Harmonics Current, Voltage Fluctuations and Flicker.....	50
17.4	Electrostatic Discharge Immunity Test (ESD) .....	50
17.5	Radio-frequency, Electromagnetic Field Immunity Test (RS).....	51
17.6	Electrical Fast Transient/Burst Immunity Test (EFT).....	52
17.7	Surge Immunity Test.....	52
17.8	Conducted Disturbances Induced by RF Fields (CS) .....	53
17.9	Power Frequency Magnetic Field Immunity Test (PFMF) .....	53
17.10	Voltage Dips and Interruptions .....	54
<b>Appendix – Information of the Testing Laboratories .....</b>		<b>55</b>

### Release Control Record

Issue No.	Description	Date Issued
CE200316D03	Original release.	May 14, 2020

## 1 Certificate of Conformity

**Product:** MTD-6000 Series Multi-touch Display

**Brand:** Vecow

**Test Model:** MTD-6021

**Series Model:** MTD-6XXX-XXX (X can be 0-9, A-Z or blank for marketing purpose)

**Sample Status:** Engineering sample

**Applicant:** VECOW CO.,LTD.

**Test Date:** Apr. 1 to May 12, 2020

**Standards:** **EN 55032:2015 +AC:2016, Class A**

**EN 61000-3-2:2014**

**EN 61000-3-3:2013**

**EN 55024:2010/ EN 55024:2010 +A1:2015**

EN 61000-4-2:2009 / IEC 61000-4-2:2008 ED. 2.0

EN 61000-4-3:2006 +A1:2008 +A2:2010 / IEC 61000-4-3:2010 ED. 3.2

EN 61000-4-4:2012 / IEC 61000-4-4:2012 ED. 3.0

EN 61000-4-5:2014 +A1:2017 / IEC 61000-4-5:2014 +A1:2017 ED. 3.0

EN 61000-4-6:2014 +AC:2015 / IEC 61000-4-6:2013 ED. 4.0

EN 61000-4-8:2010 / IEC 61000-4-8:2009 ED. 2.0

EN 61000-4-11:2004 +A1:2017 / IEC 61000-4-11:2004 +A1:2017 ED. 2.0

The above equipment has been tested by **Bureau Veritas Consumer Products Services (H.K.) Ltd., Taoyuan Branch**, and found compliance with the requirement of the above standards. The test record, data evaluation & Equipment Under Test (EUT) configurations represented herein are true and accurate accounts of the measurements of the sample's EMC characteristics under the conditions specified in this report.

**Prepared by :**  , **Date:** May 14, 2020  
Sandra Lin / Specialist

**Approved by :**  , **Date:** May 14, 2020  
Jim Hsiang / Associate Technical Manager

## 2 Summary of Test Results

Emission			
Standard	Test Item	Result/Remarks	Verdict
EN 55032:2015 +AC:2016	Conducted emission from the AC mains power port	Minimum passing Class A margin is -14.37 dB at 28.94922 MHz	Pass
	Asymmetric mode conducted emission at telecommunication ports	Without telecom port of the EUT.	N/A
	Radiated emission 30-1000 MHz	Minimum passing Class A margin is 0.72 dB at 497.09 MHz & 497.11 MHz	Pass
	Radiated emission above 1GHz	Not applicable because the EUT's highest frequency is below 108MHz	N/A
EN 61000-3-2:2014	Harmonic current emissions	The power consumption of EUT is less than 75W and no limits apply.	Pass
EN 61000-3-3:2013	Voltage fluctuations and flicker	$P_{st} \leq 1.0$ $d_{max} \leq 4\%$ $P_{lt} \leq 0.65$ $d_c \leq 3.3\%$ $T_{max} \leq 500ms$	Pass

Immunity				
EN 55024 Clause	Basic standard	Test Item	Result/Remarks	Verdict
4.2.1	EN 61000-4-2:2009 / IEC 61000-4-2:2008 ED. 2.0	Electrostatic discharge (ESD)	Performance Criterion A	Pass
4.2.3.2	EN 61000-4-3:2006 +A1:2008 +A2:2010 / IEC 61000-4-3:2010 ED. 3.2	Continuous radiated disturbances (RS)	Performance Criterion A	Pass
4.2.2	EN 61000-4-4:2012 / IEC 61000-4-4:2012 ED. 3.0	Electrical fast transients (EFT)	Performance Criterion A	Pass
4.2.5	EN 61000-4-5:2014 +A1:2017 / IEC 61000-4-5:2014 +A1:2017 ED. 3.0	Surges	Performance Criterion A	Pass
4.2.3.3	EN 61000-4-6:2014 +AC:2015 / IEC 61000-4-6:2013 ED. 4.0	Continuous conducted disturbances (CS)	Performance Criterion A	Pass
4.2.4	EN 61000-4-8:2010 / IEC 61000-4-8:2009 ED. 2.0	Power-frequency magnetic fields (PFMF)	Performance Criterion A	Pass
4.2.6	EN 61000-4-11:2004 +A1:2017 / IEC 61000-4-11:2004 +A1:2017 ED. 2.0	Voltage dips and interruptions	Voltage Dips: >95% reduction – 0.5 period, Performance Criterion A 30% reduction – 25 periods, Performance Criterion A Voltage Interruptions: >95% reduction – 250 periods, Performance Criterion B	Pass

**Note:**

1. There is no deviation to the applied test methods and requirements covered by the scope of this report.
2. Determining compliance based on the results of the compliance measurement, not taking into account measurement instrumentation uncertainty.
3. The above EN/IEC basic standards are applied with latest version if customer has no special requirement.
4. N/A: Not Applicable

**2.1 Measurement Uncertainty**

Where relevant, the following measurement uncertainty levels have been estimated for tests performed on the EUT as specified in CISPR 16-4-2:

Measurement	Expended Uncertainty (k=2) (±)	Maximum allowable uncertainty (±)
Conducted emission from AC mains power port using AMN, 150kHz ~ 30MHz	3.00 dB	3.4 dB ( $U_{cispr}$ )
Radiated emission, 30MHz ~ 1GHz	4.25 dB	6.3 dB ( $U_{cispr}$ )

**2.2 Modification Record**

There were no modifications required for compliance.

### 3 General Information

#### 3.1 Description of EUT

Product	MTD-6000 Series Multi-touch Display
Brand	Vecow
Test Model	MTD-6021
Series Model	MTD-6XXX-XXX (X can be 0-9, A-Z or blank for marketing purpose)
Model Difference	Marketing Purpose
Sample Status	Engineering sample
Operating Software	N/A
Power Supply	12Vdc from adapter
Accessory Device	Adapter
Data Cable Supplied	N/A

Note:

- The EUT is a MTD-6000 Series Multi-touch Display with following interfaces.
  - ◆ HDMI (resolution up to 1920x1080, 60Hz)
  - ◆ DVI (resolution up to 1920x1080, 60Hz)
  - ◆ D-SUB (resolution up to 1920x1080, 60Hz)
  - ◆ Audio port
  - ◆ DC input
- The EUT uses following adapter.

<b>Brand</b>	WEIHAI POWER
<b>Model</b>	HAS050123
<b>Input Power</b>	100-240Vac, 50-60Hz, 1.6A
<b>Output Power</b>	12V, 4.16A, 50W
<b>Power Line</b>	Non-shielded AC cable (3pin, 1.8m) Non-shielded DC cable (1.5m) with one ferrite core

#### 3.2 Features of EUT

The tests reported herein were performed according to the method specified by VECOW CO.,LTD., for detailed feature description; please refer to the manufacturer's specifications or user's manual.



### 3.3 Operating Modes of EUT and Determination of Worst Case Operating Mode

- The EUT was pre-tested under operating and standby condition and the worst emission level was found under **operating condition**.
- The EUT is designed with AC power of rating 100-240Vac, 50-60Hz. For radiated emission evaluation, 230Vac/ 50Hz & 110Vac/ 60Hz had been covered during the pre-test. The worst data was found at **230Vac/ 50Hz** and recorded in the applied test report.
- EUT has been pre-tested under following test modes, and **Mode A** was the worst case.

Mode	Test Model	Test Condition
A	MTD-6021	HDMI (1920x1080, 60Hz)
B		DVI (1920x1080, 60Hz)
C		D-SUB (1920x1080, 60Hz)
D		HDMI (1280x1024, 60Hz)
E		HDMI (640x480, 60Hz)

- According to the pre-test result, the EUT were tested under the following modes:

Mode	Test Model	Test Condition	Input Power
<b>Conducted emission test</b>			
1	MTD-6021	HDMI (1920x1080, 60Hz)	110Vac/ 60Hz & 230Vac/ 50Hz
<b>Radiated emission test, Harmonics, Flicker, Immunity tests</b>			
1	MTD-6021	HDMI (1920x1080, 60Hz)	230Vac/ 50Hz

### 3.4 Test Program Used and Operation Descriptions

#### Emission tests (Harmonics & Flicker excluded):

- Turn on the power of all equipment.
- PC read a test program to enable all functions.
- PC read and wrote messages from/to HDD and ext. HDD.
- PC sent "color bars with moving element" messages to EUT and then it displayed "color bars with moving element" messages on its screen.
- PC sent 1kHz audio signal to earphone via EUT.
- PC sent messages to printer and the printer printed them out.
- Steps c-f were repeated.

#### Harmonics, Flicker tests & Immunity tests:

- Turn on the power of all equipment.
- PC read a test program to enable all functions.
- PC read and wrote messages from/to HDD.
- PC sent "full white screen pattern" messages to EUT. **<Only for Harmonics, Flicker tests>**
- PC sent "H" messages to EUT and then EUT displayed "H" messages on its screen. **<Only for Immunity tests>**
- Steps c-e were repeated.

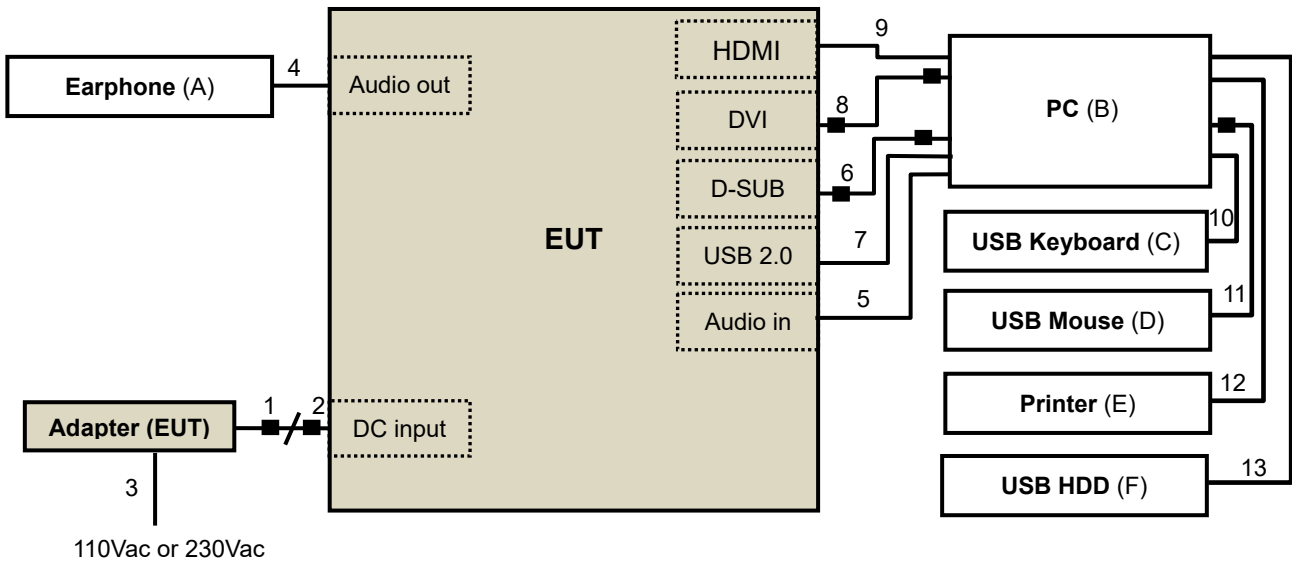
### 3.5 Primary Clock Frequencies of Internal Source

The highest frequency generated or used within the EUT or on which the EUT operates or tunes is 85MHz, provided by VECOW CO.,LTD., for detailed internal source, please refer to the manufacturer's specifications.

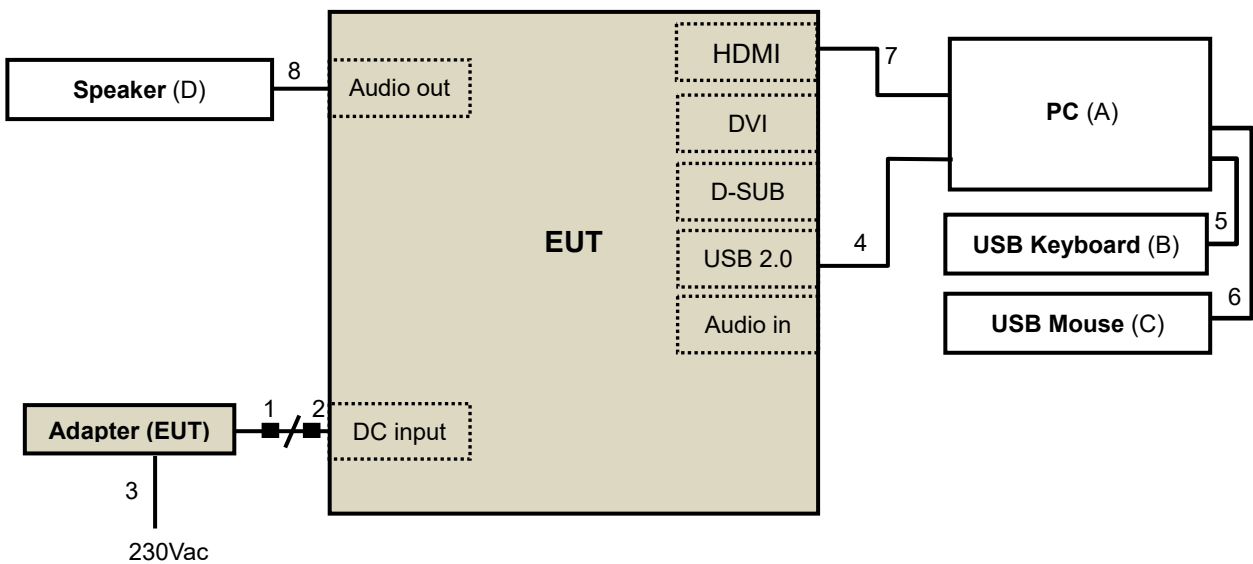
## 4 Configuration and Connections with EUT

### 4.1 Connection Diagram of EUT and Peripheral Devices

Emission tests (Harmonics & Flicker excluded):



Harmonics, Flicker, Immunity tests:



## 4.2 Configuration of Peripheral Devices and Cable Connections

Emission tests (Harmonics & Flicker excluded):

ID	Product	Brand	Model No.	Serial No.	FCC ID	Remarks
A.	Earphone	PHILIPS	SBC HL145	N/A	N/A	Provided by Lab
B.	PC	HP	Elite Desk 800G4	4CE8451BL4	FCC DoC Approved	Provided by Lab
C.	USB Keyboard	Dell	KB216t	CN-0W33XP-LO300-7CL-1907	N/A	Provided by Lab
D.	USB Mouse	Microsoft	1113	9170528318308	FCC DoC Approved	Provided by Lab
E.	Printer	HP	HP Officejet Pro 251dw	CN55FCV013	FCC DoC Approved	Provided by Lab
F.	USB Hard Disk	BUFFALO	HD-LBU2	55519210504050	FCC DoC Approved	Provided by Lab

Note: All power cords of the above support units are non-shielded (1.8m).

ID	Cable Descriptions	Qty.	Length (m)	Shielding (Yes/No)	Cores (Qty.)	Remarks
1.	DC power cable	1	1.5	N	1	Supplied by client
2.	DC power cable	1	0.1	N	1	Provided by Lab
3.	AC power cable	1	1.8	N	0	Provided by Lab
4.	Audio cable	1	1.2	N	0	Provided by Lab
5.	Audio cable	1	1.8	N	0	Provided by Lab
6.	D-SUB cable	1	1.8	Y	2	Provided by Lab
7.	USB cable	1	1.8	Y	0	Supplied by client
8.	DVI cable	1	1.8	Y	2	Provided by Lab
9.	HDMI cable	1	2.0	Y	0	Provided by Lab
10.	USB cable	1	1.8	Y	0	Provided by Lab
11.	USB cable	1	1.8	Y	1	Provided by Lab
12.	USB cable	1	1.8	Y	0	Provided by Lab
13.	USB cable	1	1.5	Y	0	Provided by Lab

Note: The core(s) is(are) originally attached to the cable(s).

Harmonics, Flicker, Immunity tests:

ID	Product	Brand	Model No.	Serial No.	FCC ID	Remarks
A.	PC	HP	N/A	N/A	FCC DoC Approved	Provided by Lab
B.	USB Keyboard	HP	KU-1060	N/A	FCC DoC Approved	Provided by Lab
C.	USB Mouse	HP	M-U0031-O	N/A	FCC DoC Approved	Provided by Lab
D.	Speaker	N/A	N/A	N/A	N/A	Provided by Lab

Note: All power cords of the above support units are non-shielded (1.8m).

ID	Cable Descriptions	Qty.	Length (m)	Shielding (Yes/No)	Cores (Qty.)	Remarks
1.	DC power cable	1	1.5	N	1	Supplied by client
2.	DC power cable	1	0.1	N	1	Provided by Lab
3.	AC power cable	1	1.8	N	0	Provided by Lab
4.	USB cable	1	1.8	Y	0	Supplied by client
5.	USB cable	1	1.8	Y	0	Provided by Lab
6.	USB cable	1	1.8	Y	0	Provided by Lab
7.	HDMI cable	1	1.8	Y	0	Provided by Lab
8.	Audio cable	1	1.2	N	0	Provided by Lab

Note: The core(s) is(are) originally attached to the cable(s).

## 5 Conducted Emission from the AC Mains Power Port

### 5.1 Limits

Class A			
Frequency range (MHz)	Coupling device	Detector type / bandwidth	Limits (dBuV)
0.15 - 0.5	AMN	Quasi-peak / 9kHz	79
0.5 - 30.0			73
0.15 - 0.5		Average / 9kHz	66
0.5 - 30.0			60
Class B			
Frequency range (MHz)	Coupling device	Detector type / bandwidth	Limits (dBuV)
0.15 - 0.5	AMN	Quasi-peak / 9kHz	66 - 56
0.5 - 5			56
5 - 30.0			60
0.15 - 0.5		Average / 9kHz	56 - 46
0.5 - 5			46
5 - 30.0			50

- Notes: 1. The lower limit shall apply at the transition frequencies.  
 2. The limit decreases linearly with the logarithm of the frequency in the range of 0.15 to 0.50 MHz.

### 5.2 Test Instruments

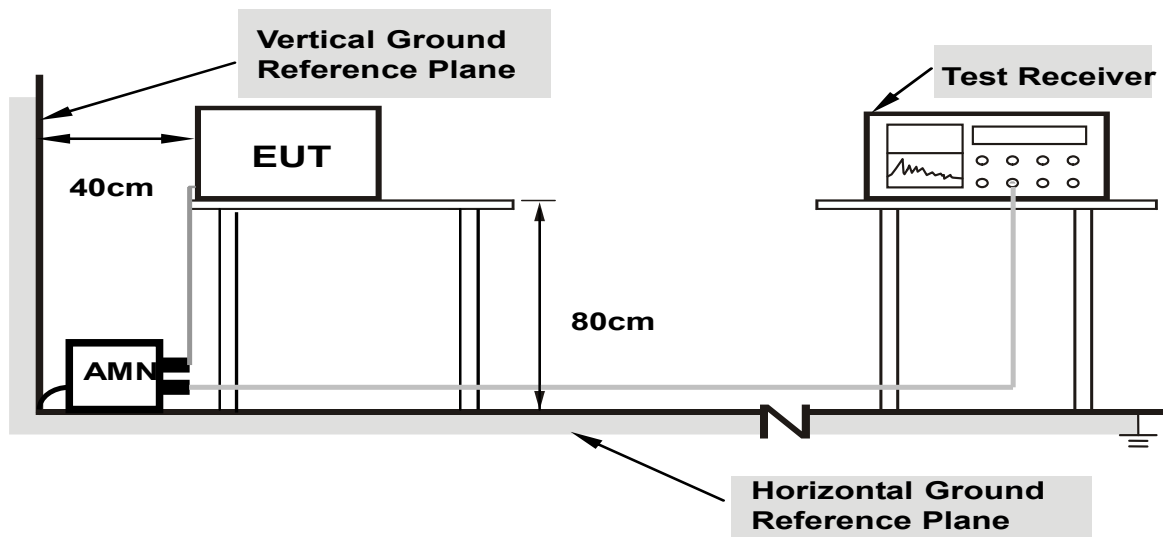
Description & Manufacturer	Model No.	Serial No.	Cal. Date	Cal. Due
ROHDE & SCHWARZ TEST RECEIVER	ESCS 30	838251/021	Oct. 30, 2019	Oct. 29, 2020
ROHDE & SCHWARZ Artificial Mains Network (For EUT)	ENV216	101195	May 9, 2019	May 8, 2020
LISN With Adapter(for EUT)	101195	N/A	May 9, 2019	May 8, 2020
EMCO L.I.S.N. (For peripherals)	3825/2	9504-2359	Jul. 31, 2019	Jul. 30, 2020
SCHWARZBECK Artificial Mains Network (For EUT)	NNLK8129	8129229	May 14, 2019	May 13, 2020
SCHWARZBECK Artificial Mains Network (for EUT)	NSLK 8128	8128-244	Nov. 11, 2019	Nov. 10, 2020
Software	Cond_V7.3.7.4	NA	NA	NA
RF cable (JYEBAO) With 10dB PAD	5D-FB	Cable-C03-01	Sep. 17, 2019	Sep. 16, 2020
LYNICS Terminator (For EMCO LISN)	0900510	E1-01-300	Jan. 20, 2020	Jan. 19, 2021
LYNICS Terminator (For EMCO LISN)	0900510	E1-01-301	Jan. 20, 2020	Jan. 19, 2021
ROHDE & SCHWARZ Artificial Mains Network (For TV EUT)	ENV216	101196	Apr. 16, 2019	Apr. 15, 2020
LISN With Adapter (for TV EUT)	101196	NA	Apr. 16, 2019	Apr. 15, 2020

- Note: 1. The calibration interval of the above test instruments is 12 months and the calibrations are traceable to NML/ROC and NIST/USA.  
 2. The test was performed in Shielded Room No. 3.  
 3. The VCCI Site Registration No. C-10274.  
 4. Tested Date: Apr. 1, 2020

### 5.3 Test Arrangement

- The EUT was placed 0.4 meters from the conducting wall of the shielded room with EUT being connected to the power mains through an Artificial Mains Network (AMN). Other support units were connected to the power mains through another AMN. The two AMNs provide 50 Ohm/ 50uH of coupling impedance for the measuring instrument.
- Both lines of the power mains connected to the EUT were checked for maximum conducted interference.
- The test results of conducted emissions at mains ports are recorded of six worst margins for quasi-peak (mandatory) [and average (if necessary)] values against the limits at frequencies of interest unless the margin is 20 dB or greater.

Note: The resolution bandwidth and video bandwidth of test receiver is 9kHz for quasi-peak detection (QP) and average detection (AV) at frequency 0.15MHz-30MHz.



- Note:**
- Support units were connected to second AMN.
  - The distance specified between EUT/AE and other metallic objects is  $\geq 0.8$  m in the measurement arrangement for table-top EUT.
  - Cable on the RGP must to be insulated.

For the actual test configuration, please refer to the related item – Photographs of the Test Configuration.

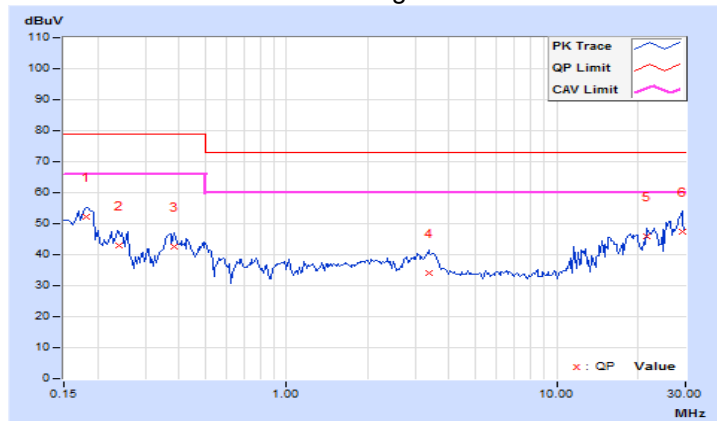
### 5.4 Test Results

<b>Frequency Range</b>	150kHz ~ 30MHz	<b>Detector Function &amp; Bandwidth</b>	Quasi-Peak (QP) / Average (AV), 9kHz
<b>Input Power</b>	110Vac, 60Hz	<b>Environmental Conditions</b>	23°C, 75%RH, 1010mbar
<b>Tested by</b>	Vhenson Huang		
<b>Test Mode</b>	Mode 1		

Phase Of Power : Line (L)										
No	Frequency (MHz)	Correction Factor (dB)	Reading Value (dBuV)		Emission Level (dBuV)		Limit (dBuV)		Margin (dB)	
			Q.P.	AV.	Q.P.	AV.	Q.P.	AV.	Q.P.	AV.
1	0.18125	9.61	42.48	30.16	52.09	39.77	79.00	66.00	-26.91	-26.23
2	0.24102	9.61	33.35	23.41	42.96	33.02	79.00	66.00	-36.04	-32.98
3	0.38438	9.63	32.85	24.61	42.48	34.24	79.00	66.00	-36.52	-31.76
4	3.35938	9.75	24.39	12.37	34.14	22.12	73.00	60.00	-38.86	-37.88
5	21.67969	9.88	36.11	32.94	45.99	42.82	73.00	60.00	-27.01	-17.18
6	29.06641	9.88	37.69	31.90	47.57	41.78	73.00	60.00	-25.43	-18.22

**Remarks:**

1. Q.P. and AV. are abbreviations of quasi-peak and average individually.
2. The emission levels of other frequencies were very low against the limit.
3. Margin value = Emission level – Limit value
4. Correction factor = Insertion loss + Cable loss
5. Emission Level = Correction Factor + Reading Value

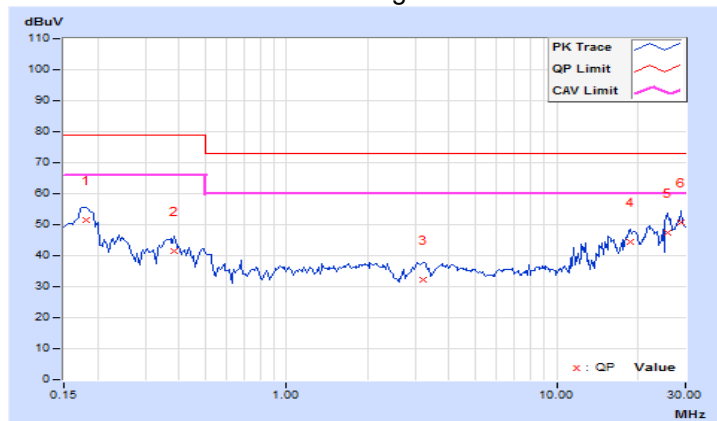


<b>Frequency Range</b>	150kHz ~ 30MHz	<b>Detector Function &amp; Bandwidth</b>	Quasi-Peak (QP) / Average (AV), 9kHz
<b>Input Power</b>	110Vac, 60Hz	<b>Environmental Conditions</b>	23°C, 75%RH, 1010mbar
<b>Tested by</b>	Vhenson Huang		
<b>Test Mode</b>	Mode 1		

Phase Of Power : Neutral (N)										
No	Frequency (MHz)	Correction Factor (dB)	Reading Value (dBuV)		Emission Level (dBuV)		Limit (dBuV)		Margin (dB)	
			Q.P.	AV.	Q.P.	AV.	Q.P.	AV.	Q.P.	AV.
1	0.18125	9.60	41.97	29.62	51.57	39.22	79.00	66.00	-27.43	-26.78
2	0.38438	9.61	31.73	24.72	41.34	34.33	79.00	66.00	-37.66	-31.67
3	3.21484	9.72	22.61	8.88	32.33	18.60	73.00	60.00	-40.67	-41.40
4	18.71875	9.91	34.48	29.09	44.39	39.00	73.00	60.00	-28.61	-21.00
5	25.89844	9.95	37.41	31.94	47.36	41.89	73.00	60.00	-25.64	-18.11
<b>6</b>	<b>28.94922</b>	<b>9.97</b>	<b>40.79</b>	<b>35.66</b>	<b>50.76</b>	<b>45.63</b>	<b>73.00</b>	<b>60.00</b>	<b>-22.24</b>	<b>-14.37</b>

**Remarks:**

1. Q.P. and AV. are abbreviations of quasi-peak and average individually.
2. The emission levels of other frequencies were very low against the limit.
3. Margin value = Emission level – Limit value
4. Correction factor = Insertion loss + Cable loss
5. Emission Level = Correction Factor + Reading Value

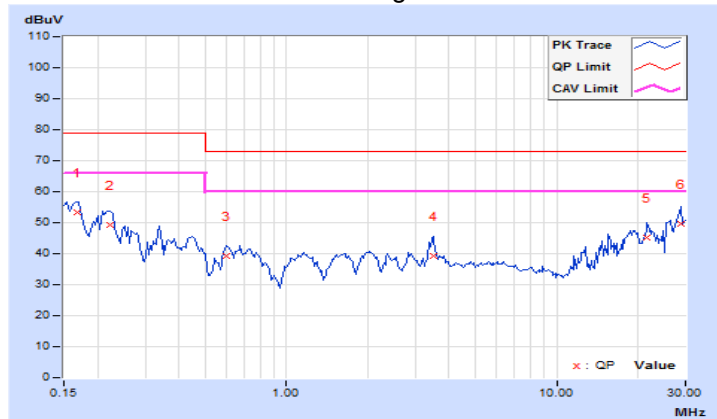


<b>Frequency Range</b>	150kHz ~ 30MHz	<b>Detector Function &amp; Bandwidth</b>	Quasi-Peak (QP) / Average (AV), 9kHz
<b>Input Power</b>	230Vac, 50Hz	<b>Environmental Conditions</b>	23°C, 75%RH, 1010mbar
<b>Tested by</b>	Vhenson Huang		
<b>Test Mode</b>	Mode 1		

Phase Of Power : Line (L)										
No	Frequency (MHz)	Correction Factor (dB)	Reading Value (dBuV)		Emission Level (dBuV)		Limit (dBuV)		Margin (dB)	
			Q.P.	AV.	Q.P.	AV.	Q.P.	AV.	Q.P.	AV.
1	0.16789	9.62	43.81	36.10	53.43	45.72	79.00	66.00	-25.57	-20.28
2	0.22277	9.61	39.76	32.96	49.37	42.57	79.00	66.00	-29.63	-23.43
3	0.60050	9.64	29.65	20.19	39.29	29.83	73.00	60.00	-33.71	-30.17
4	3.50391	9.75	29.66	17.19	39.41	26.94	73.00	60.00	-33.59	-33.06
5	21.68359	9.88	35.48	29.44	45.36	39.32	73.00	60.00	-27.64	-20.68
6	28.77734	9.88	39.71	34.49	49.59	44.37	73.00	60.00	-23.41	-15.63

**Remarks:**

1. Q.P. and AV. are abbreviations of quasi-peak and average individually.
2. The emission levels of other frequencies were very low against the limit.
3. Margin value = Emission level – Limit value
4. Correction factor = Insertion loss + Cable loss
5. Emission Level = Correction Factor + Reading Value



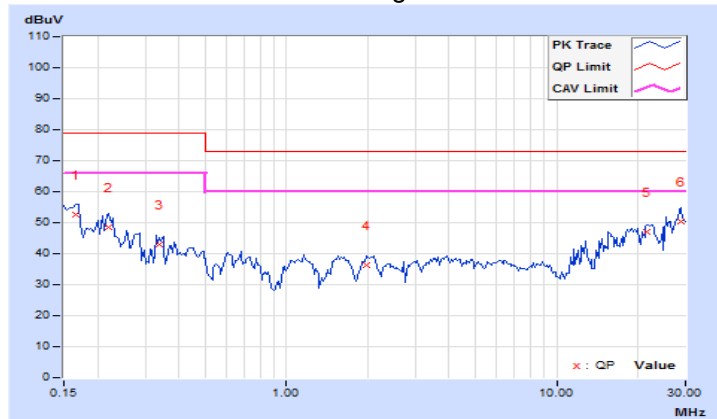


<b>Frequency Range</b>	150kHz ~ 30MHz	<b>Detector Function &amp; Bandwidth</b>	Quasi-Peak (QP) / Average (AV), 9kHz
<b>Input Power</b>	230Vac, 50Hz	<b>Environmental Conditions</b>	23°C, 75%RH, 1010mbar
<b>Tested by</b>	Vhenson Huang		
<b>Test Mode</b>	Mode 1		

Phase Of Power : Neutral (N)										
No	Frequency (MHz)	Correction Factor (dB)	Reading Value (dBuV)		Emission Level (dBuV)		Limit (dBuV)		Margin (dB)	
			Q.P.	AV.	Q.P.	AV.	Q.P.	AV.	Q.P.	AV.
1	0.16562	9.60	42.93	34.58	52.53	44.18	79.00	66.00	-26.47	-21.82
2	0.22031	9.60	39.01	31.10	48.61	40.70	79.00	66.00	-30.39	-25.30
3	0.33986	9.61	33.50	29.89	43.11	39.50	79.00	66.00	-35.89	-26.50
4	1.98047	9.70	26.48	15.25	36.18	24.95	73.00	60.00	-36.82	-35.05
5	21.67968	9.93	36.98	33.59	46.91	43.52	73.00	60.00	-26.09	-16.48
6	28.81641	9.97	40.35	35.17	50.32	45.14	73.00	60.00	-22.68	-14.86

**Remarks:**

1. Q.P. and AV. are abbreviations of quasi-peak and average individually.
2. The emission levels of other frequencies were very low against the limit.
3. Margin value = Emission level – Limit value
4. Correction factor = Insertion loss + Cable loss
5. Emission Level = Correction Factor + Reading Value



## 6 Radiated Emission at Frequencies up to 1GHz

### 6.1 Limits

Class A		
Frequency range (MHz)	Distance (m)	Limits (dBuV/m)
30 - 230	10	40
230 - 1000		47
30 - 230	3	50
230 - 1000		57
Class B		
Frequency range (MHz)	Distance (m)	Limits (dBuV/m)
30 - 230	10	30
230 - 1000		37
30 - 230	3	40
230 - 1000		47

Note: The lower limit shall apply at the transition frequencies.

### 6.2 Test Instruments

Description & Manufacturer	Model No.	Serial No.	Cal. Date	Cal. Due
ROHDE & SCHWARZ TEST RECEIVER	ESCS 30	100027	May 13, 2019	May 12, 2020
Schwarzbeck Bilog Antenna	VULB9168	9168-303	Nov. 11, 2019	Nov. 10, 2020
Agilent Preamplifier	8447D	2944A08119	Feb. 19, 2020	Feb. 18, 2021
ADT. Turn Table	TT100	0205	NA	NA
ADT. Tower	AT100	0205	NA	NA
Software	Radiated_V7.6.15.9.5	NA	NA	NA
ADT RF Switches BOX	EMH-011	1001	Oct. 24, 2019	Oct. 23, 2020
Pacific RF cable With 5dB PAD	8D	CABLE-ST2-01	Oct. 24, 2019	Oct. 23, 2020

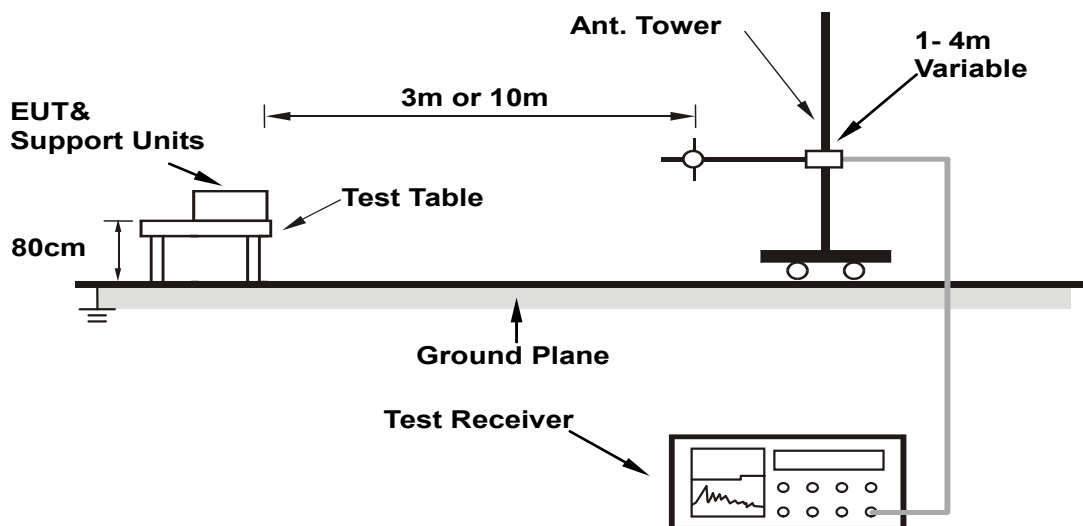
Note: 1. The calibration interval of the above test instruments is 12 months and the calibrations are traceable to NML/ROC and NIST/USA.  
 2. The test was performed in Open Site No. 2.  
 3. The VCCI Site Registration No. R-10237.  
 4. Tested Date: Apr. 1, 2020

### 6.3 Test Arrangement

- The EUT was placed on the top of a rotating table 0.8 meters above the ground at an accredited test facility. The table was rotated 360 degrees to determine the position of the highest radiation.
- The EUT was set 10 meters away from the interference-receiving antenna, which was mounted on the top of a variable-height antenna tower.
- The antenna is a broadband antenna, and its height is varied from one meter to four meters above the ground to determine the maximum value of the field strength. Both horizontal and vertical polarizations of the antenna are set to make the measurement.
- For each suspected emission, the EUT was arranged to its worst case and then the antenna was tuned to heights from 1 meter to 4 meters and the rotatable table was turned from 0 degrees to 360 degrees to find the maximum reading.
- The test-receiver system was set to quasi-peak detect function and specified bandwidth with maximum hold mode when the test frequency is up to 1 GHz.

Note:

- The resolution bandwidth and video bandwidth of test receiver/spectrum analyzer is 120kHz for quasi-peak detection (QP) at frequency up to 1GHz.
- The measurement distance is the shortest horizontal distance between an imaginary circular periphery just encompassing this arrangement and the calibration point of the antenna.



**Note: Cable on the RGP must be insulated.**

For the actual test configuration, please refer to the related item – Photographs of the Test Configuration.

### 6.4 Test Results

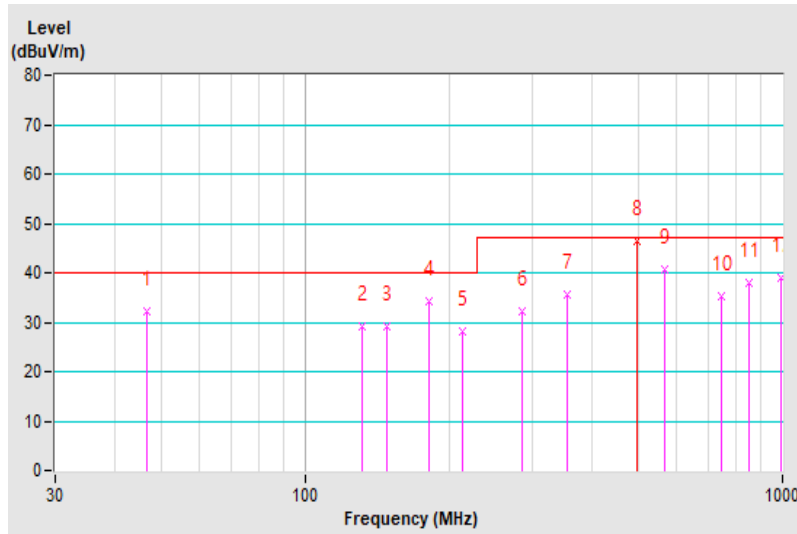
<b>Frequency Range</b>	30MHz ~ 1GHz	<b>Detector Function &amp; Bandwidth</b>	Quasi-Peak (QP), 120kHz
<b>Tested by</b>	Paul Chen	<b>Environmental Conditions</b>	21°C, 74%RH, 1010mbar
<b>Test Mode</b>	Mode 1		

#### Antenna Polarity & Test Distance : Horizontal at 10 m

No	Frequency (MHz)	Emission Level (dBuV/m)	Limit (dBuV/m)	Margin (dB)	Antenna Height (m)	Table Angle (Degree)	Raw Value (dBuV)	Correction Factor (dB/m)
1	46.67	32.27 QP	40.00	-7.73	4.00 H	53	42.07	-9.80
2	131.50	29.31 QP	40.00	-10.69	4.00 H	309	39.70	-10.39
3	148.51	29.03 QP	40.00	-10.97	4.00 H	66	38.33	-9.30
4	182.32	34.10 QP	40.00	-5.90	4.00 H	295	45.07	-10.97
5	213.04	28.16 QP	40.00	-11.84	4.00 H	178	40.04	-11.88
6	284.19	32.16 QP	47.00	-14.84	3.88 H	121	40.23	-8.07
7	355.12	35.74 QP	47.00	-11.26	3.06 H	152	42.12	-6.38
<b>8</b>	<b>497.09</b>	<b>46.28 QP</b>	<b>47.00</b>	<b>-0.72</b>	<b>1.95 H</b>	<b>199</b>	<b>49.72</b>	<b>-3.44</b>
9	568.09	40.57 QP	47.00	-6.43	1.82 H	250	42.55	-1.98
10	742.50	35.23 QP	47.00	-11.77	1.00 H	124	33.42	1.81
11	852.12	37.91 QP	47.00	-9.09	1.00 H	323	33.80	4.11
12	994.17	38.96 QP	47.00	-8.04	1.00 H	306	32.73	6.23

Remarks:

1. Emission Level(dBuV/m) = Raw Value(dBuV) + Correction Factor(dB/m)
2. Correction Factor(dB/m) = Antenna Factor (dB/m) + Cable Factor (dB) – Pre-Amplifier Factor (dB)
3. The other emission levels were very low against the limit.
4. Margin value = Emission level – Limit value

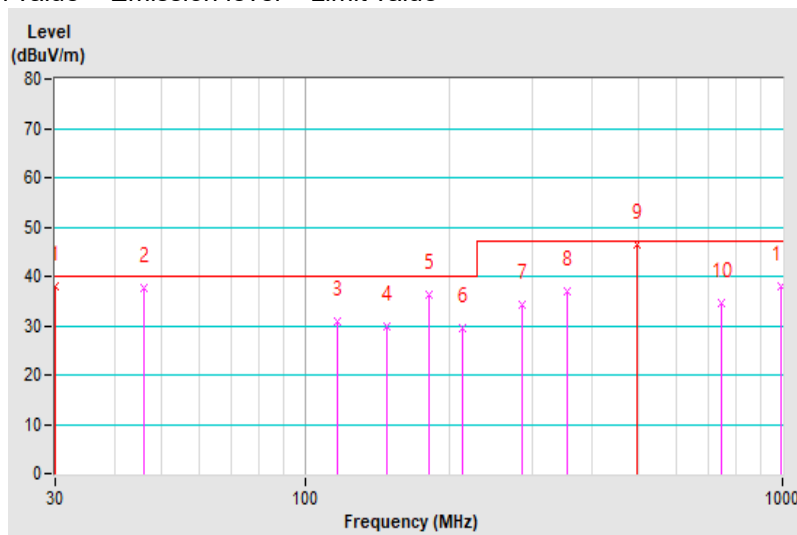


<b>Frequency Range</b>	30MHz ~ 1GHz	<b>Detector Function &amp; Bandwidth</b>	Quasi-Peak (QP), 120kHz
<b>Tested by</b>	Paul Chen	<b>Environmental Conditions</b>	21°C, 74%RH, 1010mbar
<b>Test Mode</b>	Mode 1		

Antenna Polarity & Test Distance : Vertical at 10 m								
No	Frequency (MHz)	Emission Level (dBuV/m)	Limit (dBuV/m)	Margin (dB)	Antenna Height (m)	Table Angle (Degree)	Raw Value (dBuV)	Correction Factor (dB/m)
1	30.05	38.11 QP	40.00	-1.89	1.07 V	14	49.42	-11.31
2	45.95	37.75 QP	40.00	-2.25	1.28 V	104	47.49	-9.74
3	117.20	31.01 QP	40.00	-8.99	1.00 V	103	42.90	-11.89
4	148.96	29.86 QP	40.00	-10.14	1.00 V	236	39.09	-9.23
5	182.31	36.43 QP	40.00	-3.57	1.00 V	137	47.40	-10.97
6	213.04	29.51 QP	40.00	-10.49	1.00 V	164	41.39	-11.88
7	284.00	34.21 QP	47.00	-12.79	1.00 V	207	42.30	-8.09
8	355.12	36.84 QP	47.00	-10.16	1.00 V	277	43.22	-6.38
<b>9</b>	<b>497.11</b>	<b>46.28 QP</b>	<b>47.00</b>	<b>-0.72</b>	<b>3.36 V</b>	<b>1</b>	<b>49.72</b>	<b>-3.44</b>
10	742.49	34.49 QP	47.00	-12.51	2.75 V	225	32.68	1.81
11	994.13	38.04 QP	47.00	-8.96	2.19 V	270	31.81	6.23

Remarks:

1. Emission Level(dBuV/m) = Raw Value(dBuV) + Correction Factor(dB/m)
2. Correction Factor(dB/m) = Antenna Factor (dB/m) + Cable Factor (dB) – Pre-Amplifier Factor (dB)
3. The other emission levels were very low against the limit.
4. Margin value = Emission level – Limit value



## 7 Harmonics Current Measurement

### 7.1 Limits

Limits for Class A equipment		Limits for Class D equipment		
Harmonic Order n	Max. permissible harmonics current A	Harmonic Order n	Max. permissible harmonics current per watt mA/W	Max. permissible harmonics current A
Odd harmonics		Odd Harmonics only		
3	2.30	3	3.4	2.30
5	1.14	5	1.9	1.14
7	0.77	7	1.0	0.77
9	0.40	9	0.5	0.40
11	0.33	11	0.35	0.33
13	0.21	13	0.30	0.21
$15 \leq n \leq 39$	$0.15 \times 15/n$	$15 \leq n \leq 39$	$3.85/n$	$0.15 \times 15/n$
Even harmonics				
2	1.08			
4	0.43			
6	0.30			
$8 \leq n \leq 40$	$0.23 \times 8/n$			

Notes: 1. Class A and Class D are classified according to section 5 of EN 61000-3-2.

2. According to section 7 of EN 61000-3-2, the above limits for all equipment except for lighting equipment having an active input power > 75 W and no limits apply for equipment with an active input power up to and including 75 W.

### 7.2 Classification of Equipment

Class A	Class B	Class C	Class D
Balanced three-phase equipment; Household appliances excluding equipment as Class D; Tools excluding portable tools; Dimmers for incandescent lamps; Audio equipment; Equipment not specified in one of the three other classes.	Portable tools; Arc welding equipment which is not professional equipment.	Lighting equipment.	Equipment having a specified power less than or equal to 600 W of the following types: Personal computers and personal computer monitors; Television receivers; Refrigerators and freezers having one or more variable-speed drives to control compressor motor(s).

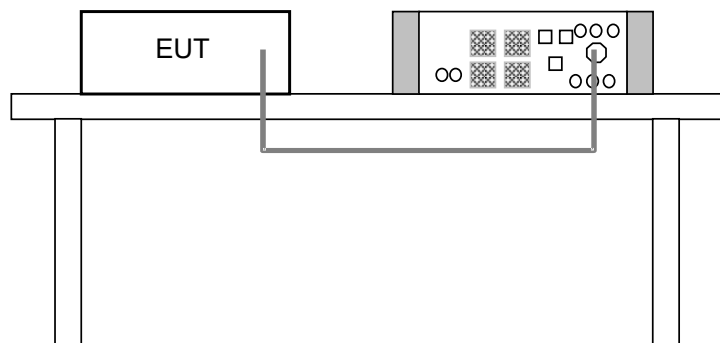
### 7.3 Test Instruments

Description & Manufacturer	Model No.	Serial No.	Cal. Date	Cal. Due
Teseq Harmonics - Flicker Test System	Proflin 2105	32A00983 & 1639A01863	Sep. 17, 2019	Sep. 16, 2020
Software	CTS 4	NA	NA	NA

- Note:
1. The calibration interval of the above test instruments is 12 months and the calibrations are traceable to NML/ROC and NIST/USA.
  2. The test was performed in EMS Room No. 1.
  3. According to IEC 61000-4-7: 2002, the time window shall be synchronized with each group of 10 or 12 cycles (200 ms) for power frequency of 50 or 60Hz.
  4. Tested Date: Apr. 6, 2020

### 7.4 Test Arrangement

- a. The EUT was placed on the top of a wooden table 0.8 meters above the ground and operated to produce the maximum harmonic components under normal operating conditions for each successive harmonic component in turn.
- b. The correspondent test program of test instrument to measure the current harmonics emanated from EUT is chosen. The measure time shall be not less than the time necessary for the EUT to be exercised.



For the actual test configuration, please refer to the related item – Photographs of the Test Configuration.

### 7.5 Test Results

Fundamental Voltage/Ampere	230.48Vrms/ 0.307Arms	Power Frequency	49.99Hz
Power Consumption	23.0W	Power Factor	0.237
Environmental Conditions	19°C, 71% RH	Tested by	Xun Lee
Test Mode	Mode 1		

- Note:
1. Limits are not specified for equipment with a rated power of 75W or less (other than lighting equipment).
  2. According to EN 61000-3-2 the manufacturer shall specify the power of the apparatus. This value shall be used for establishing limits. The specified power shall be within +/-10% of the measured power.

## 8 Voltage Fluctuations and Flicker Measurement

### 8.1 Limits

Test item	Limit	Note
$P_{st}$	1.0	$P_{st}$ : short-term flicker severity.
$P_{lt}$	0.65	$P_{lt}$ : long-term flicker severity.
$T_{max}$ (ms)	500	$T_{max}$ : maximum time duration during the observation period that the voltage deviation $d(t)$ exceeds the limit for $d_c$ .
$d_{max}$ (%)	4	$d_{max}$ : maximum absolute voltage change during an observation period.
$d_c$ (%)	3.3	$d_c$ : maximum steady state voltage change during an observation period.

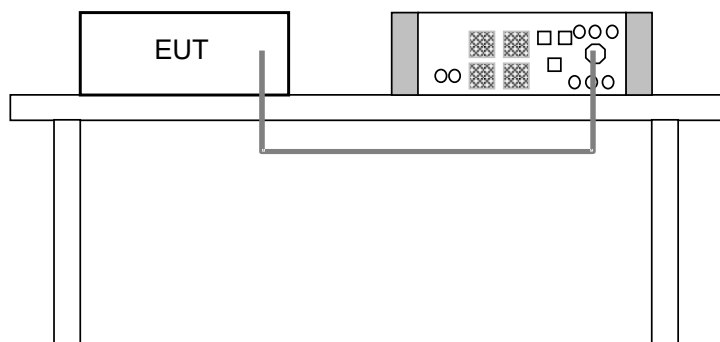
### 8.2 Test Instruments

Description & Manufacturer	Model No.	Serial No.	Cal. Date	Cal. Due
Teseq Harmonics - Flicker Test System	Proflin 2105	32A00983 & 1639A01863	Sep. 17, 2019	Sep. 16, 2020
Software	CTS 4	NA	NA	NA

Note: 1. The calibration interval of the above test instruments is 12 months and the calibrations are traceable to NML/ROC and NIST/USA.  
 2. The test was performed in EMS Room No. 1.  
 3. Tested Date: Apr. 6, 2020

### 8.3 Test Arrangement

- The EUT was placed on the top of a wooden table 0.8 meters above the ground and operated to produce the most unfavorable sequence of voltage changes under normal operating conditions.
- During the flick measurement, the measure time shall include that part of whole operation cycle in which the EUT produce the most unfavorable sequence of voltage changes. The observation period for short-term flicker indicator is 10 minutes and the observation period for long-term flicker indicator is 2 hours.



For the actual test configuration, please refer to the related item – Photographs of the Test Configuration.



#### 8.4 Test Results

Fundamental Voltage/Ampere	230.48Vrms / 0.307Arms	Power Frequency	49.99 Hz
Observation ( $T_p$ )	10 min.	Power Factor	0.327
Environmental Conditions	19°C, 71 % RH	Tested by	Xun Lee
Test Mode	Mode 1		

Test Parameter	Measurement Value	Limit	Remarks
$P_{st}$	0.064	1.00	Pass
$P_{lt}$	0.028	0.65	Pass
$T_{max}$ (ms)	0	500	Pass
$d_{max}$ (%)	0	4	Pass
$d_c$ (%)	0	3.3	Pass

- Note: (1)  $P_{st}$  means short-term flicker indicator.  
 (2)  $P_{lt}$  means long-term flicker indicator.  
 (3)  $T_{max}$  means accumulated time value of  $d(t)$  with a deviation exceeding 3.3 %.  
 (4)  $d_{max}$  means maximum relative voltage change.  
 (5)  $d_c$  means maximum relative steady-state voltage change.

## 9 General Immunity Requirements

### EN 55024:2010/ EN 55024:2010 +A1:2015, Immunity requirements

Clause	Reference standard	Table	Test specification	Performance Criterion
4.2.1	EN/IEC 61000-4-2 ESD	1.3	Enclosure port: ±8kV Air discharge, ±4kV Contact discharge	B
4.2.3.2	EN/IEC 61000-4-3 RS	1.2	Enclosure port: 80-1000 MHz, 3V/m, 80% AM (1kHz)	A
4.2.2	EN/IEC 61000-4-4 EFT	2.3	Signal ports and telecommunication ports: xDSL equipment: ±0.5kV, 5/50 (t <sub>r</sub> /t <sub>w</sub> ) ns, 100kHz others: ±0.5kV, 5/50 (t <sub>r</sub> /t <sub>w</sub> ) ns, 5kHz	B
		3.3	Input DC power port: ±0.5kV, 5/50 (t <sub>r</sub> /t <sub>w</sub> ) ns, 5kHz	
		4.5	Input AC Power ports: ±1kV, 5/50 (t <sub>r</sub> /t <sub>w</sub> ) ns, 5kHz	
4.2.5	EN/IEC 61000-4-5 Surge	2.2	Signal and telecommunication ports (direct to outdoor cables): 10/700 (5/320) (T <sub>r</sub> /T <sub>d</sub> ) μs w/o primary protectors: ±1kV, or with primary protectors fitted: ±4kV	C
		3.2	Input DC power port (direct to outdoor cables): 1.2/50 (8/20) (T <sub>r</sub> /T <sub>d</sub> ) μs Line to earth: ±0.5kV	
		4.4	Input AC Power ports: 1.2/50 (8/20) (T <sub>r</sub> /T <sub>d</sub> ) μs, Line to line: ±1kV Line to earth: ±2kV	
4.2.3.3	EN/IEC 61000-4-6 CS	2.1	Signal and telecommunication ports(cable length > 3m): 0.15-80 MHz, 3V, 80% AM (1kHz)	A
		3.1	Input DC power port: 0.15-80 MHz, 3V, 80% AM (1kHz)	
		4.1	Input AC Power ports: 0.15-80 MHz, 3V, 80% AM (1kHz)	
4.2.4	EN/IEC 61000-4-8 PFMF	1.1	Enclosure port: 50 or 60 Hz, 1A/m	A
4.2.6	EN/IEC 61000-4-11 Dips & Interruptions	4.2	Input AC Power ports: Voltage Dips: >95% reduction – 0.5 period 30% reduction – 25 periods	B C
		4.3	Input AC Power ports: Voltage Interruptions: >95% reduction – 250 periods	C

## 9.1 Performance Criteria

### General Performance Criteria

#### Performance criterion A

The equipment shall continue to operate as intended without operator intervention. No degradation of performance or loss of function is allowed below a performance level specified by the manufacturer when the equipment is used as intended. The performance level may be replaced by a permissible loss of performance. If the minimum performance level or the permissible performance loss is not specified by the manufacturer, then either of these may be derived from the product description and documentation, and by what the user may reasonably expect from the equipment if used as intended.

#### Performance criterion B

After the test, the equipment shall continue to operate as intended without operator intervention. No degradation of performance or loss of function is allowed, after the application of the phenomena below a performance level specified by the manufacturer, when the equipment is used as intended. The performance level may be replaced by a permissible loss of performance. During the test, degradation of performance is allowed. However, no change of operating state or stored data is allowed to persist after the test. If the minimum performance level (or the permissible performance loss) is not specified by the manufacturer, then either of these may be derived from the product description and documentation, and by what the user may reasonably expect from the equipment if used as intended.

#### Performance criterion C

Loss of function is allowed, provided the function is self-recoverable, or can be restored by the operation of the controls by the user in accordance with the manufacturer's instructions. Functions, and/or information stored in non-volatile memory, or protected by a battery backup, shall not be lost.

### Product Specific Performance Criteria

The particular performance criteria which are specified in the normative annexes of EN 55024 take precedence over the corresponding parts of the general performance criteria. Where particular performance criteria for specific functions are not given, then the general performance criteria shall apply.

## 10 Electrostatic Discharge Immunity Test (ESD)

### 10.1 Test Specification

<b>Basic Standard:</b>	EN/IEC 61000-4-2
<b>Discharge Impedance:</b>	330 ohm / 150 pF
<b>Discharge Voltage:</b>	Air Discharge: $\pm 2, \pm 4, \pm 8$ kV (Direct) Contact Discharge: $\pm 2, \pm 4$ kV (Direct/Indirect)
<b>Number of Discharge:</b>	Air – Direct: 10 discharges per location (each polarity) Contact – Direct & Indirect: 25 discharges per location (each polarity) and min. 200 times in total
<b>Discharge Mode:</b>	Single Discharge
<b>Discharge Period:</b>	1-second minimum

### 10.2 Test Instruments

Description & Manufacturer	Model No.	Serial No.	Cal. Date	Cal. Due
KeyTek, ESD Simulator	MZ-15/EC	0401299	Oct. 15, 2019	Oct. 14, 2020

- Note:
1. The calibration interval of the above test instruments is 12 months and the calibrations are traceable to NML/ROC and NIST/USA.
  2. The test was performed in ESD Room No. 3.
  3. Tested Date: Apr. 6, 2020

### 10.3 Test Arrangement

The discharges shall be applied in two ways:

- a. Contact discharges to the conductive surfaces and coupling planes:

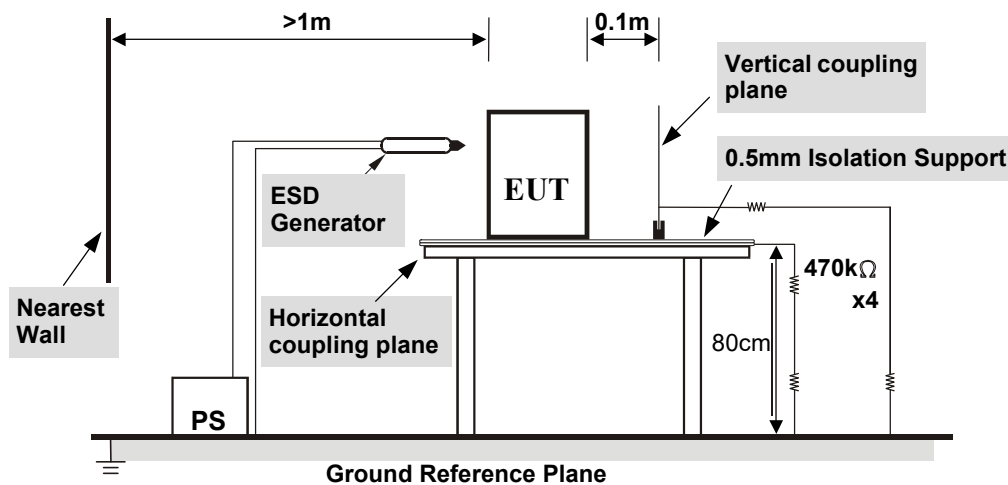
The EUT shall be exposed to at least 200 discharges, 100 each at negative and positive polarity, at a minimum of four test points. One of the test points shall be subjected to at least 50 indirect discharges to the center of the front edge of the horizontal coupling plane. The remaining three test points shall each receive at least 50 direct contact discharges. If no direct contact test points are available, then at least 200 indirect discharges shall be applied in the indirect mode. Test shall be performed at a maximum repetition rate of one discharge per second.

- b. Air discharges at slots and apertures and insulating surfaces:

On those parts of the EUT where it is not possible to perform contact discharge testing, the equipment should be investigated to identify user accessible points where breakdown may occur. Such points are tested using the air discharge method. This investigation should be restricted to those area normally handled by the user. A minimum of 10 single air discharges shall be applied to the selected test point for each such area.

The basic test procedure was in accordance with EN/IEC 61000-4-2:

- a. Electrostatic discharges were applied only to those points and surfaces of the EUT that are accessible to users during normal operation.
- b. The test was performed with at least ten single discharges on the pre-selected points in the most sensitive polarity.
- c. The time interval between two successive single discharges was at least 1 second.
- d. The ESD generator was held perpendicularly to the surface to which the discharge was applied and the return cable was at least 0.2 meters from the EUT.
- e. Contact discharges were applied to the non-insulating coating, with the pointed tip of the generator penetrating the coating and contacting the conducting substrate.
- f. Air discharges were applied with the round discharge tip of the discharge electrode approaching the EUT as fast as possible (without causing mechanical damage) to touch the EUT. After each discharge, the ESD generator was removed from the EUT and re-triggered for a new single discharge. The test was repeated until all discharges were complete.
- g. At least ten single discharges (in the most sensitive polarity) were applied to the **Horizontal Coupling Plane** at points on each side of the EUT. The ESD generator was positioned at a distance of 0.1 meters from the EUT with the discharge electrode touching the **HCP**.
- h. At least ten single discharges (in the most sensitive polarity) were applied to the center of one vertical edge of the **Vertical Coupling Plane** in sufficiently different positions that the four faces of the EUT were completely illuminated. The **VCP** (dimensions 0.5m x 0.5m) was placed vertically to and 0.1 meters from the EUT.



#### TABLE-TOP EQUIPMENT

The configuration consisted of a wooden table 0.8 meters high standing on the **Ground Reference Plane**. The **GRP** consisted of a sheet of aluminum at least 0.25mm thick, and 2.5 meters square connected to the protective grounding system. A **Horizontal Coupling Plane** (1.6m x 0.8m) was placed on the table and attached to the **GRP** by means of a cable with 940kΩ total impedance. The equipment under test, was installed in a representative system as described in section 7 of EN/IEC 61000-4-2, and its cables were placed on the **HCP** and isolated by an insulating support of 0.5mm thickness. A distance of 1-meter minimum was provided between the EUT and the walls of the laboratory and any other metallic structure.

For the actual test configuration, please refer to the related item – Photographs of the Test Configuration.

#### 10.4 Test Results

Input Power	230 Vac, 50 Hz	Tested by	Xun Lee
Environmental Conditions	25°C, 40% RH 1003 mbar	Test mode	Mode 1

#### Test Results of Direct Application

Discharge Level (kV)	Polarity (+/-)	Test Point	Contact Discharge	Air Discharge	Performance Criterion
2, 4	+/-	1-4	Note	NA	A
2, 4, 8	+/-	5-12	NA	Note	A

Description of test points of direct application: Please refer to following page for representative mark only.

#### Test Results of Indirect Application

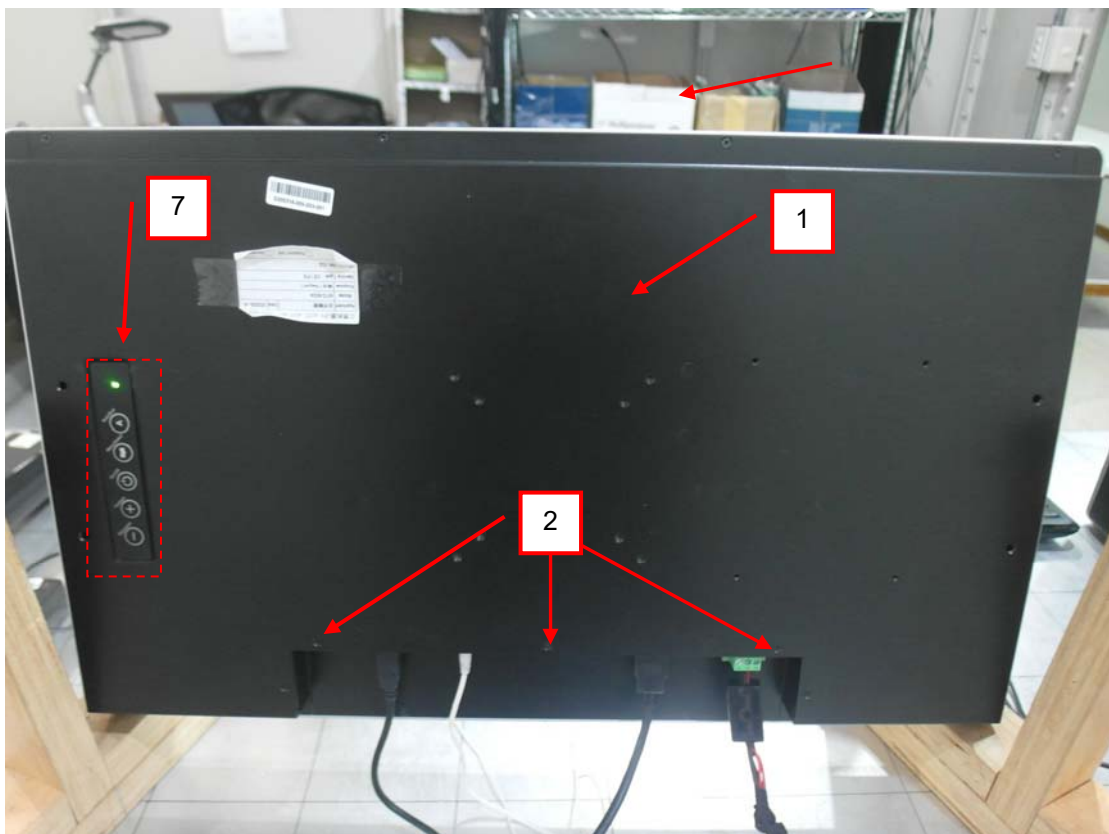
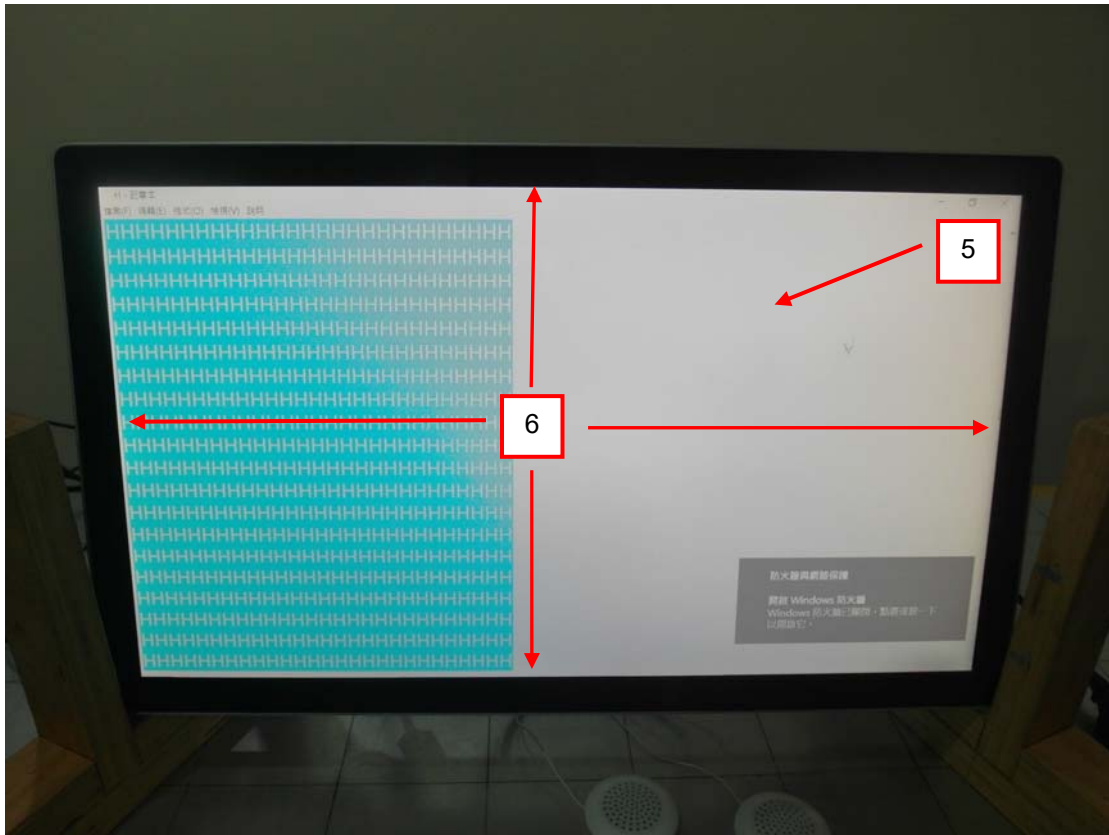
Discharge Level (kV)	Polarity (+/-)	Test Point	Horizontal Coupling Plane	Vertical Coupling Plane	Performance Criterion
2, 4	+/-	Four Sides	Note 1	Note 1	A

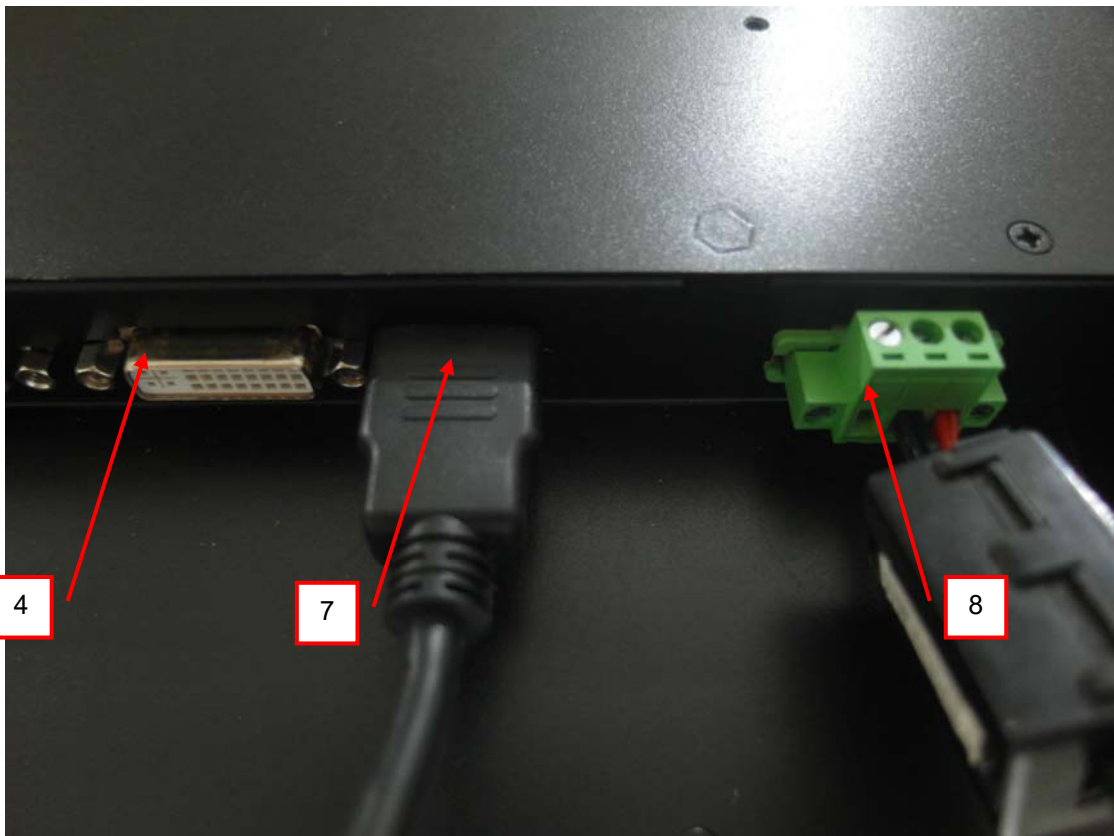
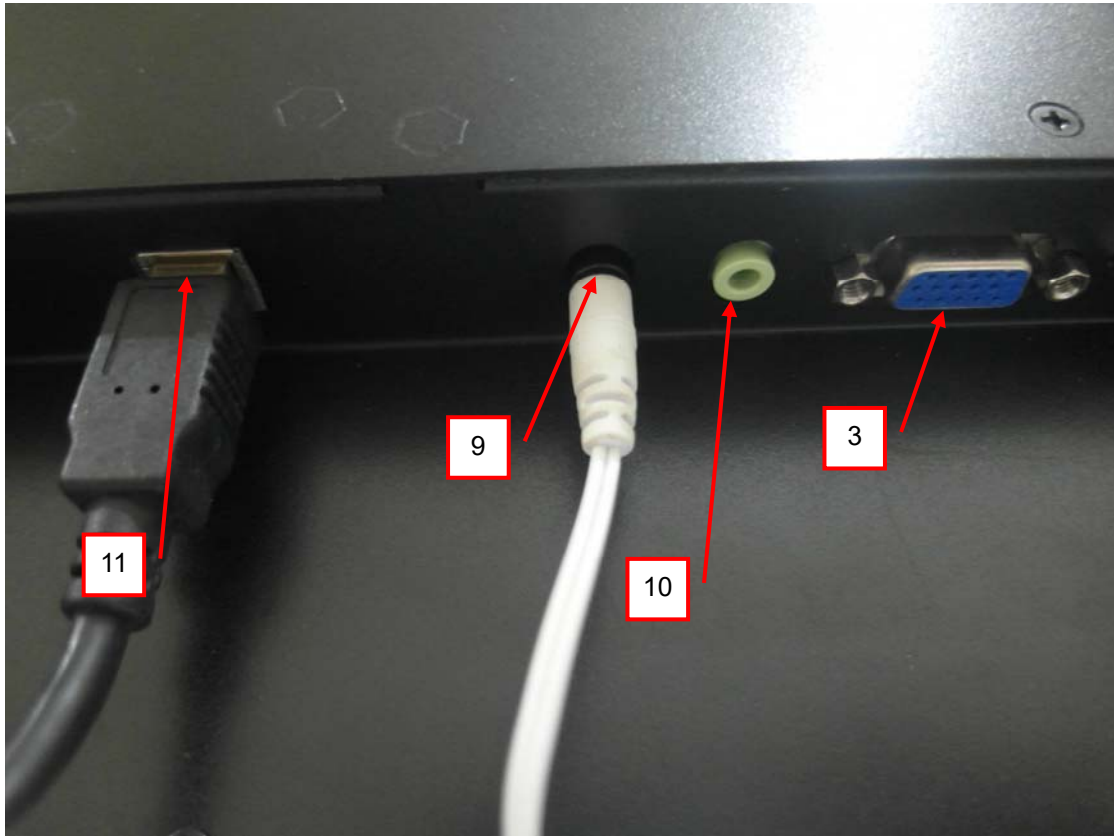
Description of test points of indirect application:

1. Front side
2. Rear side
3. Right side
4. Left side

Note: The EUT function was correct during the test.

## Description of Test Points









## 11 Radiated, Radio-frequency, Electromagnetic Field Immunity Test (RS)

### 11.1 Test Specification

Basic Standard:	EN/IEC 61000-4-3
Frequency Range:	80 MHz - 1000 MHz
Field Strength:	3 V/m
Modulation:	1kHz Sine Wave, 80%, AM Modulation
Frequency Step:	1 % of preceding frequency value
Polarity of Antenna:	Horizontal and Vertical
Antenna Height:	1.5m
Dwell Time:	3 seconds

### 11.2 Test Instruments

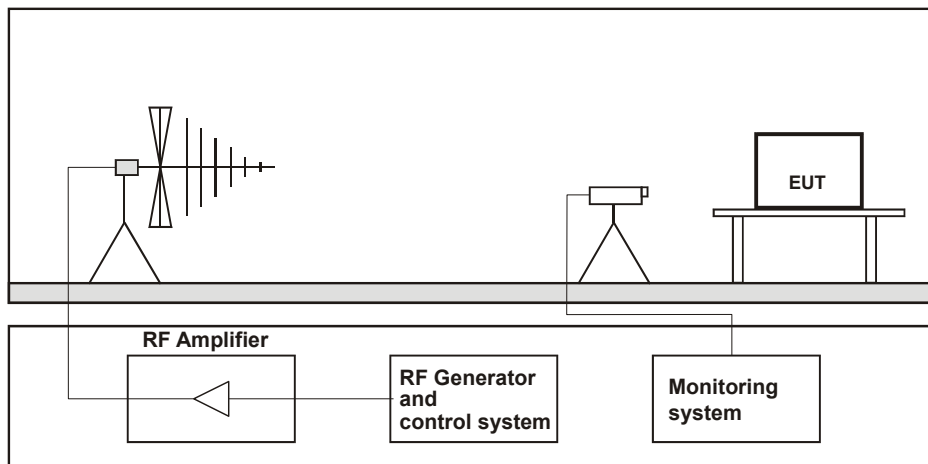
Description & Manufacturer	Model No.	Serial No.	Cal. Date	Cal. Due
AgilentSignal Generator	E8257D	MY48050465	Jun. 7, 2019	Jun. 6, 2020
BONN RF Amplifier	BSA 0125-800	1912556	NA	NA
TESTQAmplifier	CBA 1G-275	T44344	NA	NA
AR RF Amplifier	35S4G8AM4	0326094	NA	NA
AR RF Amplifier	100S1G4M3	0329249	NA	NA
AR Controller	SC1000M3	305910	NA	NA
ETS Electric Field Sensor	HI-6105	00217912	Aug. 13, 2019	Aug. 12, 2020
BOONTON RF Voltage Meter	4232A	10180	May 29, 2019	May 28, 2020
BOONTON Power Sensor	51011-EMC	34152	May 29, 2019	May 28, 2020
BOONTON Power Sensor	51011-EMC	34153	May 29, 2019	May 28, 2020
ARLog-Periodic Antenna	AT6080	0329465	NA	NA
EMCO BiconiLog Antenna	3141	1001	NA	NA
ARHigh Gain Antenna	AT4010	0329800	NA	NA
SchwarzbeckLOG ANTENNA	Stlp 9149	9149-260	NA	NA
CHANCE MOST Full Anechoic Chamber (9x5x3m)	Chance Most	RS-002	Feb. 5, 2020	Feb. 4, 2021
Software	RS_V7.6	NA	NA	NA

- Note:
1. The calibration interval of the above test instruments is 12 months and the calibrations are traceable to NML/ROC and NIST/USA.
  2. The test was performed in RS Room No.2.
  3. The transmit antenna was located at a distance of 3 meters from the EUT.
  4. Tested Date: Apr. 6, 2020

### 11.3 Test Arrangement

The test procedure was in accordance with EN/IEC 61000-4-3.

- The testing was performed in a fully anechoic chamber.
- The frequency range is swept from 80 MHz to 1000 MHz, with the signal 80% amplitude modulated with a 1kHz sine wave.
- The field strength level was 3 V/m.
- The test was performed with the EUT exposed to both vertically and horizontally polarized fields on each of the four sides.



#### Table-top Equipment

The EUT installed in a representative system as described in section 7 of EN/IEC 61000-4-3 was placed on a non-conductive table 0.8 meters in height. The system under test was connected to the power and signal wire according to relevant installation instructions.

For the actual test configuration, please refer to the related item – Photographs of the Test Configuration.

### 11.4 Test Results

Input Power	230 Vac, 50 Hz	Tested by	Xun Lee
Environmental Conditions	25°C, 78% RH	Test mode	Mode 1

Frequency (MHz)	Polarity	Azimuth(°)	Applied Field Strength		Observation	Performance Criterion
			(V/m)	Modulation		
80 -1000	V&H	0	3	80% AM (1kHz)	Note	A
80 -1000	V&H	90	3	80% AM (1kHz)	Note	A
80 -1000	V&H	180	3	80% AM (1kHz)	Note	A
80 -1000	V&H	270	3	80% AM (1kHz)	Note	A

Note: The EUT function was correct during the test.

## 12 Electrical Fast Transient/Burst Immunity Test (EFT)

### 12.1 Test Specification

Basic Standard:	EN/IEC 61000-4-4
Test Voltage:	Signal / telecommunication port: N/A Input DC power port: N/A Input AC power port: $\pm 1$ kV
Impulse Repetition Frequency:	xDSL telecommunication port: 100kHz others: 5kHz
Impulse Wave Shape:	5/50 ns
Burst Duration:	0.75 ms for 100kHz Repetition Frequency 15 ms for 5kHz Repetition Frequency
Burst Period:	300 ms
Test Duration:	1 min.

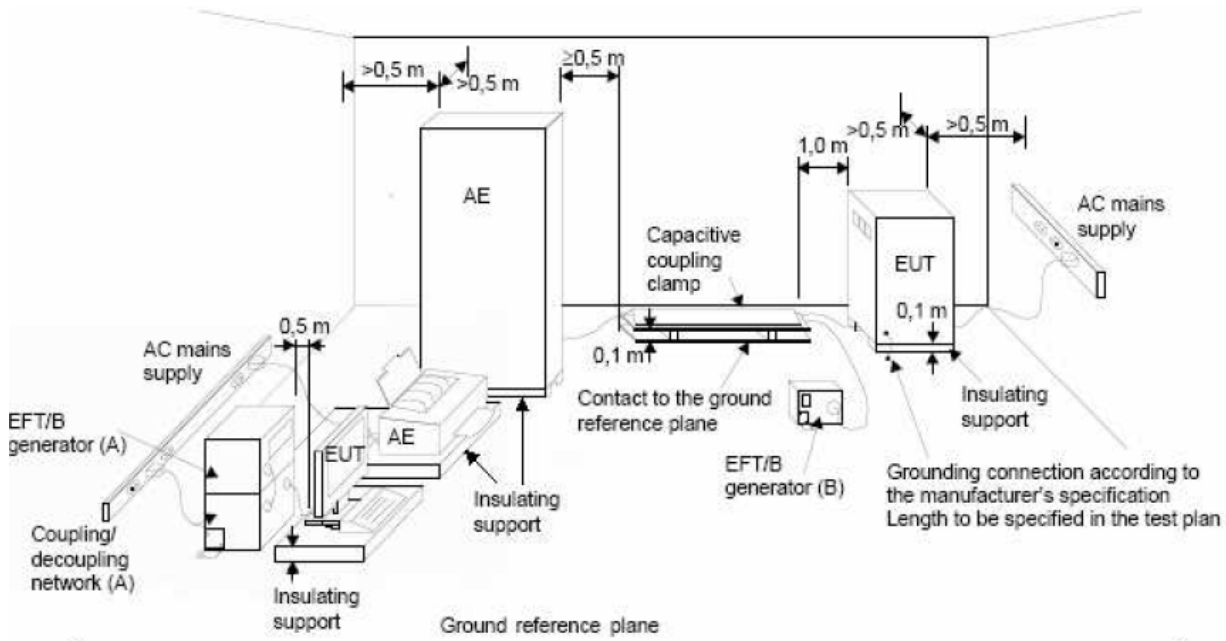
### 12.2 Test Instruments

Description & Manufacturer	Model No.	Serial No.	Cal. Date	Cal. Due
Haefely, EFT Generator	PEFT 4010	154954	Apr. 23, 2019	Apr. 22, 2020
Haefely, Capacitive Clamp	IP4A	155173	Apr. 23, 2019	Apr. 22, 2020

- Note:
1. The calibration interval of the above test instruments is 12 months and the calibrations are traceable to NML/ROC and NIST/USA.
  2. The test was performed in EFT Room.
  3. Tested Date: Apr. 6, 2020

### 12.3 Test Arrangement

- Both positive and negative polarity discharges were applied.
- The distance between any coupling devices and the EUT should be 0.5 m for table-top equipment testing, and 1.0 m for floor standing equipment.
- The duration time of each test sequential was 1 minute.
- The transient/burst waveform was in accordance with EN/IEC 61000-4-4, 5/50 ns.



**NOTE:**

- location for supply line coupling
- location for signal lines coupling

For the actual test configuration, please refer to the related item – Photographs of the Test Configuration.

### 12.4 Test Results

Input Power	230 Vac, 50 Hz	Tested by	Xun Lee
Environmental Conditions	25°C, 78% RH	Test mode	Mode 1

Input AC power port

Voltage (kV)	Test Point	Polarity (+/-)	Observation	Performance Criterion
1	L1	+/-	Note	A
1	L2	+/-	Note	A
1	PE	+/-	Note	A
1	L1-L2-PE	+/-	Note	A

Note: The EUT function was correct during the test.

### 13 Surge Immunity Test

#### 13.1 Test Specification

Basic Standard:	EN/IEC 61000-4-5
Wave-Shape:	Signal / telecommunication port (direct to outdoor cables*): 10/700 $\mu$ s Open Circuit Voltage 5/320 $\mu$ s Short Circuit Current  Input DC power port (direct to outdoor cables*): 1.2/50 $\mu$ s Open Circuit Voltage 8/20 $\mu$ s Short Circuit Current  Input AC power port: 1.2/50 $\mu$ s Open Circuit Voltage 8/20 $\mu$ s Short Circuit Current
Test Voltage:	Signal and telecommunication ports**: w/o primary protectors: N/A, with primary protectors fitted: N/A  Input DC power port: Line to earth or ground:N/A  Input AC power ports: Line to line: $\pm 0.5$ kV, $\pm 1$ kV, Line to earth or ground: $\pm 0.5$ kV, $\pm 1$ kV, $\pm 2$ kV
AC Phase Angle (degree):	0°, 90°, 180°, 270°
Pulse Repetition Rate:	1 time / 20 sec.
Number of Tests:	5 positive and 5 negative at selected points

\* This test is only applicable only to ports, which according to the manufacturer's specification, may connect directly to outdoor cables.

\*\* For ports where primary protection is intended, surges are applied at voltages up to 4 kV with the primary protectors fitted. Otherwise the 1 kV test level is applied without primary protection in place.

#### 13.2 Test Instruments

Description & Manufacturer	Model No.	Serial No.	Cal. Date	Cal. Due
KeyTek, Surge Simulator	EMC Pro	9902207	May 10, 2019	May 9, 2020
Coupling Decoupling Network	CDN-UTP8	045	Aug. 27, 2019	Aug. 26, 2020
Software	CEWare32	NA	NA	NA

- Note:
1. The calibration interval of the above test instruments is 12 months and the calibrations are traceable to NML/ROC and NIST/USA.
  2. The test was performed in EMS Room No. 1.
  3. Tested Date: Apr. 6, 2020

### 13.3 Test Arrangement

a. Input AC/DC Power ports:

The surge shall be applied to the EUT power supply terminals via the capacitive coupling network. Decoupling networks are required in order to avoid possible adverse effects on equipment not under test that may be powered by the same lines and to provide sufficient decoupling impedance to the surge wave. The power cord between the EUT and the coupling network shall not exceed 2 meters in length.

For double-insulated products without PE or external earth connections, the test shall be done in a similar way as for grounded products but without adding any additional external grounded connections. If there are no other possible connections to earth, line-to-ground tests may be omitted.

b. Signal and telecommunication ports,

● Unshielded unsymmetrical interconnection lines:

The coupling / decoupling networks shall not influence the specified functional conditions of the EUT. The interconnection line between the EUT and the coupling network shall not exceed 2 meters in length.

● Unshielded symmetrical interconnection lines:

For symmetrical interconnection lines and high-speed interconnection lines, the CDN shall be selected to match the number of lines/pairs existing in the cable. If coupling arrestors are used, test levels below the ignition point of the coupling arrestor cannot be specified.

The interconnection line between the EUT and the coupling/decoupling networks shall not exceed 2 meters in length.

In order to avoid the coupling and decoupling capacitors having a filtering effect on the data transfer, a balanced high frequency design associating the coupling capacitors with coupling chokes is required. Where normal functioning of high speed communications lines cannot be achieved because of the impact of the CDN on the EUT, product committees should specify appropriate operation or that no surge immunity test is required.

● Shielded lines:

The EUT is isolated from ground and the surge is applied to its metallic enclosure; the termination (or auxiliary equipment) at the port(s) under test is grounded. This test applies to equipment with one or more shielded cables.

The length of the cable between the port(s) under test and the device attached to the other end of the cable shall be:

- 20 m (preferred length) or,
- the shortest length over 10 m, where the manufacturer provides pre-assembled cables used in actual installations.

No test shall be required for cables which according to the manufacturer's specification are  $\leq 10$  m.

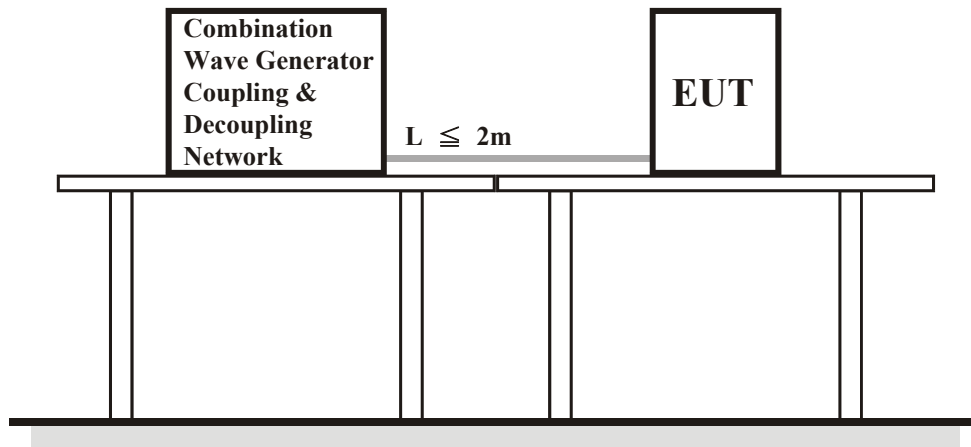
Rules for application of the surge to shielded lines:

- a) Shields grounded at both ends:
- the test shall be carried out.

The test level is applied on shields with a  $2 \Omega$  generator source impedance and with the  $18 \mu\text{F}$  capacitor.

- b) Shields grounded at one end:
- the test shall be carried out according to unshielded unsymmetrical interconnection lines or unshielded symmetrical interconnection lines because the shield does not provide any protection against surges induced by magnetic fields.

For EUTs which do not have metallic enclosures, the surge is applied directly to the shielded cable at the EUT side.



For the actual test configuration, please refer to the related item – Photographs of the Test Configuration.

#### 13.4 Test Results

Input Power	230 Vac, 50 Hz	Tested by	Xun Lee
Environmental Conditions	25°C, 78% RH	Test mode	Mode 1

Input AC power port

Voltage (kV)	Test Point	Polarity (+/-)	Observation	Performance Criterion
0.5, 1	L1-L2	+/-	Note	A
0.5, 1, 2	L1-PE	+/-	Note	A
0.5, 1, 2	L2-PE	+/-	Note	A

Note: The EUT function was correct during the test.



## 14 Immunity to Conducted Disturbances Induced by RF Fields (CS)

### 14.1 Test Specification

Basic Standard:	EN/IEC 61000-4-6
Frequency Range:	0.15 MHz - 80 MHz
Voltage Level:	3 V
Modulation:	1kHz Sine Wave, 80%, AM Modulation
Frequency Step:	1 % of preceding frequency value
Dwell Time	3 seconds

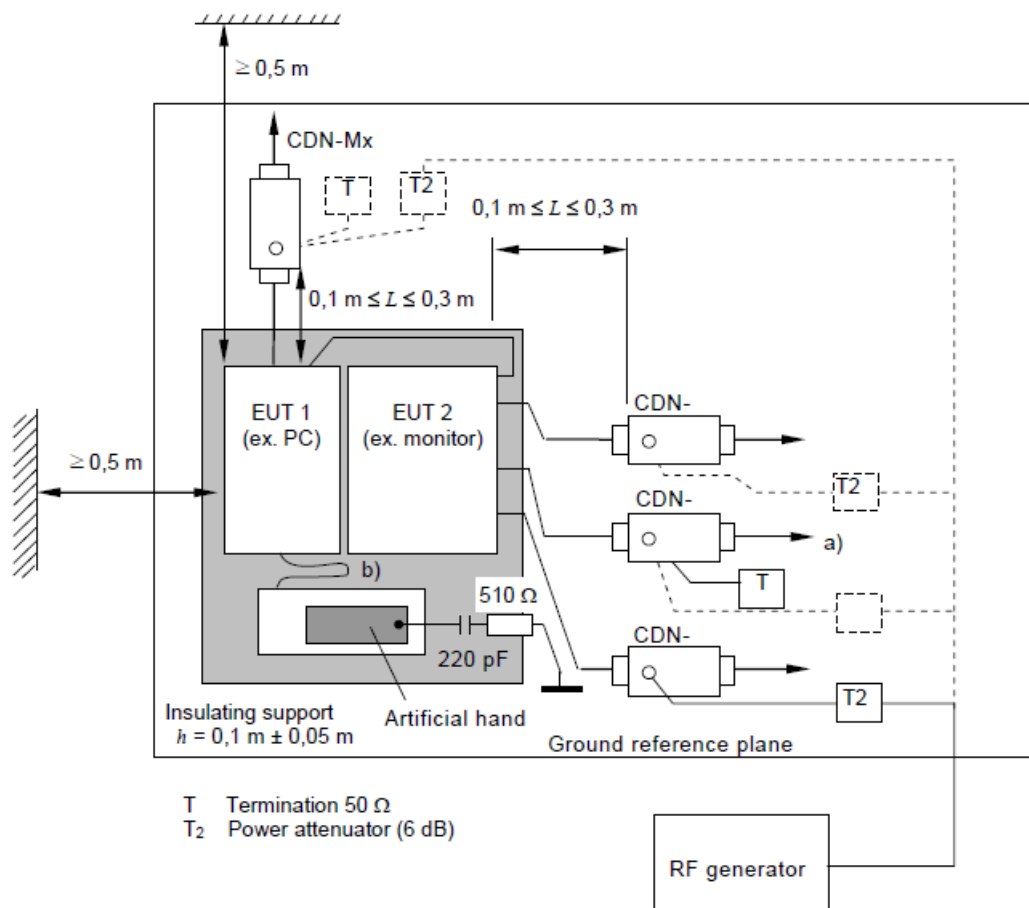
### 14.2 Test Instruments

Description & Manufacturer	Model No.	Serial No.	Cal. Date	Cal. Due
ROHDE & SCHWARZ Signal Generator	SML03	101801	Jan. 17, 2020	Jan. 16, 2021
Digital Sweep Function Generator	8120	984801	NA	NA
AR Power Amplifier	75A250AM1	306331	NA	NA
FCC Coupling Decoupling Network	FCC-801-M2-16A	01047	Jun. 19, 2019	Jun. 18, 2020
FISCHER CUSTOM COMMUNICATIONS EM Injection Clamp	F-203I-23mm	455	NA	NA
FISCHER CUSTOM COMMUNICATIONS Current Injection Clamp	F-120-9A	361	Jul. 31, 2019	Jul. 30, 2020
B&K Ear Simulator	4185	2553594	NA	NA
EM TEST Coupling Decoupling Network	CDN M1/32A	306508	Jun. 19, 2019	Jun. 18, 2020
TESEQ Coupling Decoupling Network	CDN T800	34428	Jun. 19, 2019	Jun. 18, 2020
TESEQ Coupling Decoupling Network	CDN T800	29459	Jun. 19, 2019	Jun. 18, 2020
FCC Coupling Decoupling Network	FCC-801-T4	02031	Jun. 19, 2019	Jun. 18, 2020
EM TEST Coupling Decoupling Network	CDN T2	306509	Jun. 19, 2019	Jun. 18, 2020
R&S Power Sensor	NRV-Z5	837878/039	Nov. 8, 2019	Nov. 7, 2020
R&S Power Meter	NRVD	837794/040	Nov. 8, 2019	Nov. 7, 2020
TESEQ Coupling Decoupling Network	CDN M232	37702	Jun. 19, 2019	Jun. 18, 2020
TESEQ Coupling Decoupling Network	CDN M332	41258	Jun. 19, 2019	Jun. 18, 2020
TESEQ Coupling Decoupling Network	CDN M332	41256	Jun. 19, 2019	Jun. 18, 2020
TESEQ Coupling Decoupling Network	CDN T8-10	40376	Jun. 19, 2019	Jun. 18, 2020
TESEQ Coupling Decoupling Network	CDN S751S	35791	Mar. 5, 2020	Mar. 4, 2021
TESEQ Coupling Decoupling Network	CDN S200	53490	May 28, 2019	May 27, 2020
TESEQ Coupling Decoupling Network	CDN S400	52115	Jul. 23, 2019	Jul. 22, 2020
TESEQ Coupling Decoupling Network	ISN ST08	41212	Jun. 19, 2019	Jun. 18, 2020
FCC Coupling Decoupling Network	FCC-801-M5-50A	100018	Jan. 20, 2020	Jan. 19, 2021
Software	CS_V7.4.2	NA	NA	NA

- Note:
1. The calibration interval of the above test instruments is 12 months and the calibrations are traceable to NML/ROC and NIST/USA.
  2. The test was performed in CS Room No. 1.
  3. Tested Date: May 12, 2020

### 14.3 Test Arrangement

- The EUT shall be tested within its intended operating and climatic conditions.
- An artificial hand was placed on the hand-held accessory and connected to the ground reference plane.
- One of the CDNs not used for injection was terminated with 50 ohm, providing only one return path. All other CDNs were coupled as decoupling networks.
- The frequency range is swept from 150 kHz to 80 MHz, using the signal level established during the setting process and with a disturbance signal of 80 % amplitude. The signal is modulated with a 1 kHz sine wave, pausing to adjust the RF signal level or the switch coupling devices as necessary. Where the frequency is swept incrementally, the step size shall not exceed 1 % of the preceding frequency value.
- Attempts should be made to fully exercise the EUT during testing, and to fully interrogate all exercise modes selected for susceptibility.



- Note:**
- The EUT clearance from any metallic obstacles shall be at least 0,5 m.
  - Interconnecting cables ( $\leq 1$  m) belonging to the EUT shall remain on the insulating support.
  - The equipment to be tested is placed on an insulating support of 0.1 meters height above a ground reference plane. All relevant cables shall be provided with the appropriate coupling and decoupling devices at a distance between 0.1 meters and 0.3 meters from the projected geometry of the EUT on the ground reference plane.

For the actual test configuration, please refer to the related item – Photographs of the Test Configuration.

#### 14.4 Test Results

Input Power	230 Vac, 50 Hz	Tested by	Kent Wang
Environmental Conditions	25°C, 75% RH	Test mode	Mode 1

Frequency (MHz)	Level (Vrms)	Tested Line	Injection Method	Return Path	Observation	Performance Criterion
0.15 – 80	3	AC Power	CDN-M3	CDN-M3	Note	A

Note: The EUT function was correct during the test.

## 15 Power Frequency Magnetic Field Immunity Test

### 15.1 Test Specification

Basic Standard:	EN/IEC 61000-4-8
Frequency Range:	50Hz
Field Strength:	1 A/m
Observation Time:	1 minute
Inductance Coil:	Rectangular type, 1 m x 1 m

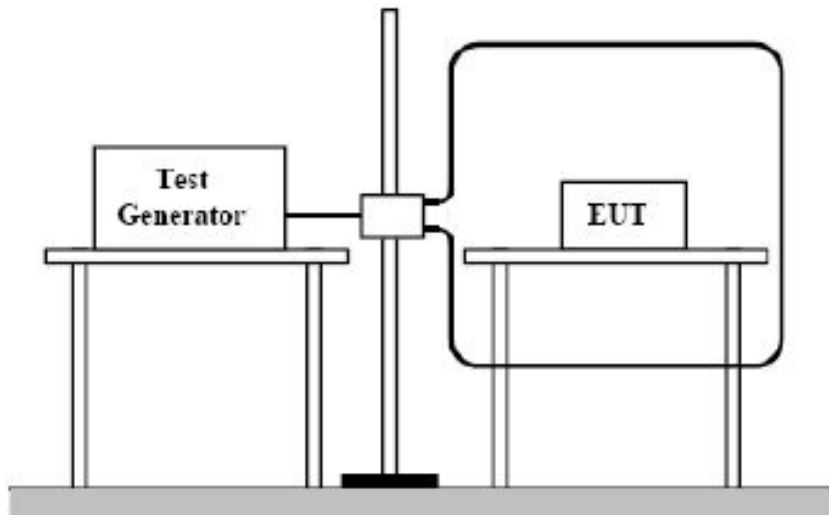
### 15.2 Test Instruments

Description & Manufacturer	Model No.	Serial No.	Cal. Date	Cal. Due
HAEFELY Magnetic Field Tester	MAG 100	083794-06	NA	NA

- Note:
1. The calibration interval of the above test instruments is 12 months and the calibrations are traceable to NML/ROC and NIST/USA.
  2. The test was performed in EMS Room No. 1
  3. Tested Date: Apr. 6, 2020

### 15.3 Test Arrangement

- a. The equipment is configured and connected to satisfy its functional requirements.
- b. The power supply, input and output circuits shall be connected to the sources of power supply, control and signal.
- c. The cables supplied or recommended by the equipment manufacturer shall be used. 1 meter of all cables used shall be exposed to the magnetic field.



#### TABLETOP EQUIPMENT

The equipment shall be subjected to the test magnetic field by using the induction coil of standard dimension (1 m x 1 m). The induction coil shall then be rotated by 90 degrees in order to expose the EUT to the test field with different orientations.

For the actual test configuration, please refer to the related item – Photographs of the Test Configuration.

#### 15.4 Test Results

Input Power	230 Vac, 50 Hz	Tested by	Xun Lee
Environmental Conditions	25°C, 78% RH	Test mode	Mode 1

Application	Frequency (Hz)	Field Strength (A/m)	Observation	Performance Criterion
X - Axis	50	1	Note	A
Y - Axis	50	1	Note	A
Z - Axis	50	1	Note	A

Note: The EUT function was correct during the test.

## 16 Voltage Dips and Interruptions

### 16.1 Test Specification

Basic Standard:	EN/IEC 61000-4-11
Test levels:	Voltage Dips: >95% reduction – 0.5 period 30% reduction – 25 periods
	Voltage Interruptions: >95% reduction – 250 periods
Interval between Event:	Minimum ten seconds
Sync Angle (degrees):	0° / 180°
Test Cycle:	3 times

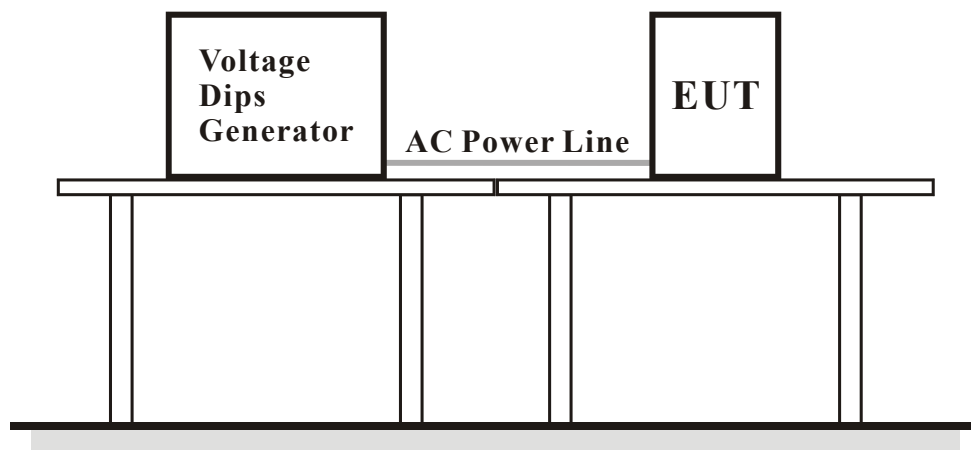
### 16.2 Test Instruments

Description & Manufacturer	Model No.	Serial No.	Cal. Date	Cal. Due
Teseq Immunity Test System	Proflin 2105	1632A00983 & 1639A01863	Jun. 19, 2019	Jun. 18, 2020
Software	WIN2120	NA	NA	NA

- Note:
1. The calibration interval of the above test instruments is 12 months and the calibrations are traceable to NML/ROC and NIST/USA.
  2. The test was performed in EMS Room No. 1.
  3. Tested Date: Apr. 6, 2020

### 16.3 Test Arrangement

The EUT shall be tested for each selected combination of test levels and duration with a sequence of 3 dips/interruptions with intervals of 10 s minimum (between each test event). Each representative mode of operation shall be tested. Abrupt changes in supply voltage shall occur at 0 degree crossover point of the voltage waveform.



For the actual test configuration, please refer to the related item – Photographs of the Test Configuration.

### 16.4 Test Results

Input Power	230 Vac, 50 Hz 240 Vac, 50 Hz 100 Vac, 50 Hz	Tested by	Xun Lee
Environmental Conditions	25°C, 78% RH	Test mode	Mode 1

Input Power for testing: 230 Vac, 50 Hz (Nominal input Voltage)					
Voltage Reduction (%)	Duration (period)	Interval (sec)	Times	Observation	Performance Criterion
>95	0.5	10	3	Note 1	A
30	25	10	3	Note 1	A
>95	250	10	3	Note 2	B

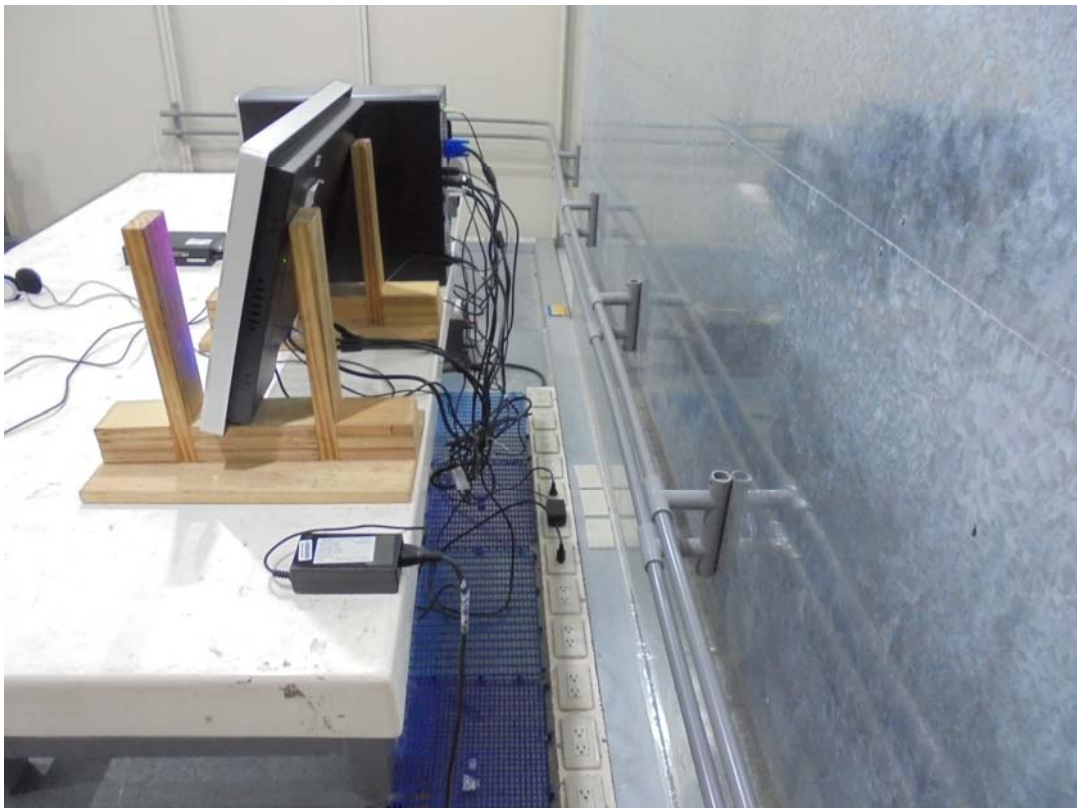
Input Power for testing: 240 Vac, 50 Hz (Maximum rated input voltage)					
Voltage Reduction (%)	Duration (period)	Interval (sec)	Times	Observation	Performance Criterion
>95	0.5	10	3	Note 1	A
30	25	10	3	Note 1	A
>95	250	10	3	Note 2	B

Input Power for testing: 100 Vac, 50 Hz (Minimum rated input voltage)					
Voltage Reduction (%)	Duration (period)	Interval (sec)	Times	Observation	Performance Criterion
>95	0.5	10	3	Note 1	A
30	25	10	3	Note 1	A
>95	250	10	3	Note 2	B

- Note: 1. The EUT function was correct during the test.  
 2. The EUT shutdown during the test, but auto recovered after the test.

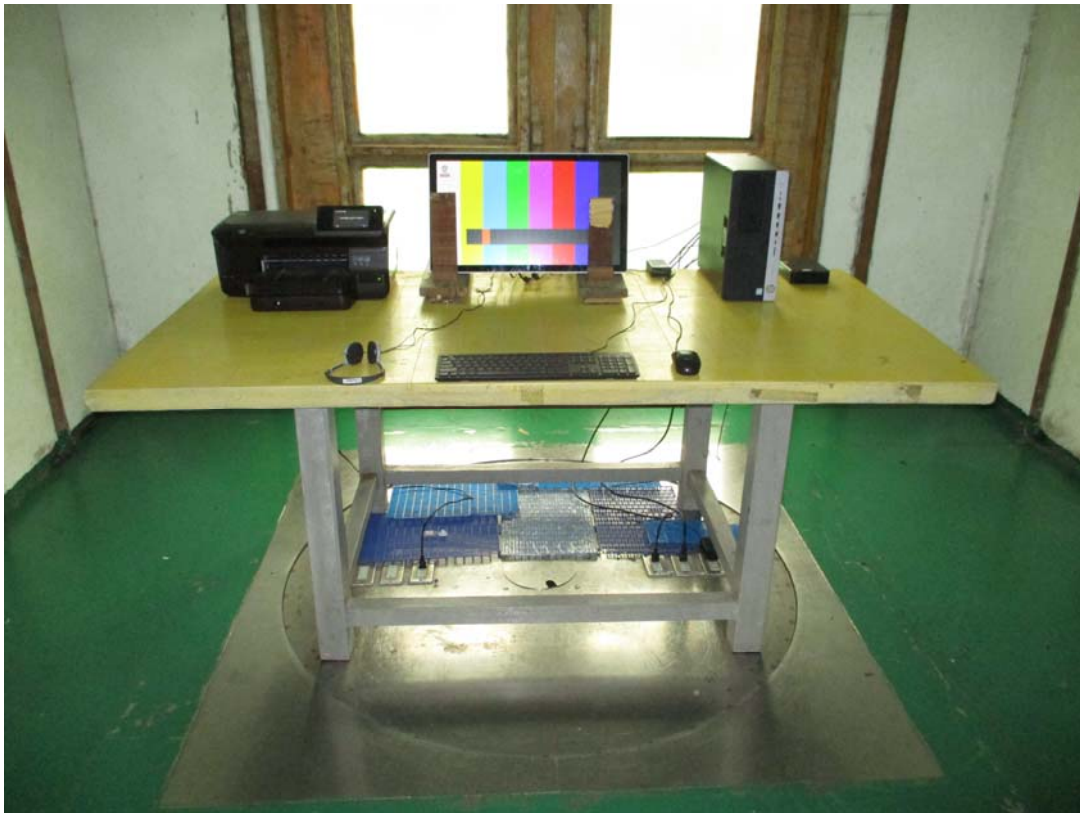
## 17 Pictures of Test Arrangements

### 17.1 Conducted Emission from the AC Mains Power Port





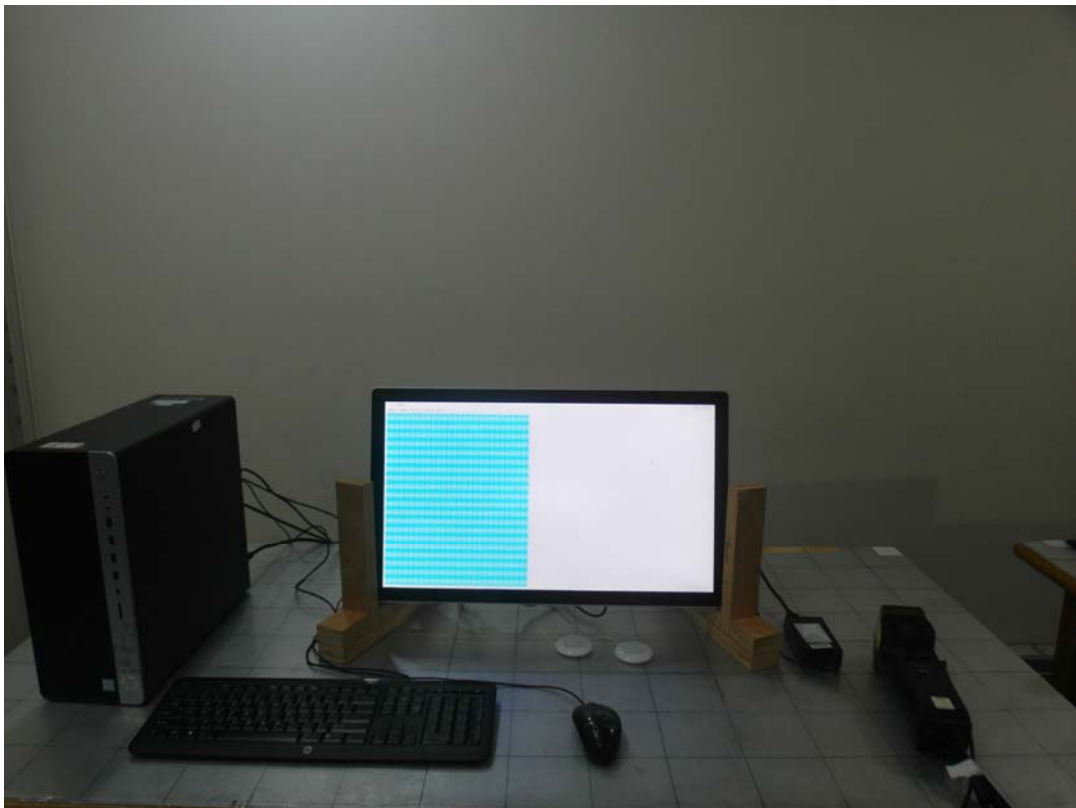
## 17.2 Radiated Emission at Frequencies up to 1GHz



### 17.3 Harmonics Current, Voltage Fluctuations and Flicker



### 17.4 Electrostatic Discharge Immunity Test (ESD)



## 17.5 Radio-frequency, Electromagnetic Field Immunity Test (RS)





### 17.6 Electrical Fast Transient/Burst Immunity Test (EFT)

Mains ports



### 17.7 Surge Immunity Test

Mains ports



### 17.8 Conducted Disturbances Induced by RF Fields (CS)

Mains ports



### 17.9 Power Frequency Magnetic Field Immunity Test (PFMF)



## 17.10 Voltage Dips and Interruptions



## Appendix – Information of the Testing Laboratories

We, Bureau Veritas Consumer Products Services (H.K.) Ltd., Taoyuan Branch, were founded in 1988 to provide our best service in EMC, Radio, Telecom and Safety consultation. Our laboratories are accredited and approved according to ISO/IEC 17025.

If you have any comments, please feel free to contact us at the following:

**Lin Kou EMC/RF Lab**

Tel: 886-2-26052180

Fax: 886-2-26051924

**Hsin Chu EMC/RF/Telecom Lab**

Tel: 886-3-6668565

Fax: 886-3-6668323

**Hwa Ya EMC/RF/Safety Lab**

Tel: 886-3-3183232

Fax: 886-3-3270892

**Email:** [service.adt@tw.bureauveritas.com](mailto:service.adt@tw.bureauveritas.com)

**Web Site:** [www.bureauveritas-adt.com](http://www.bureauveritas-adt.com)

The address and road map of all our labs can be found in our web site also.

--- END ---